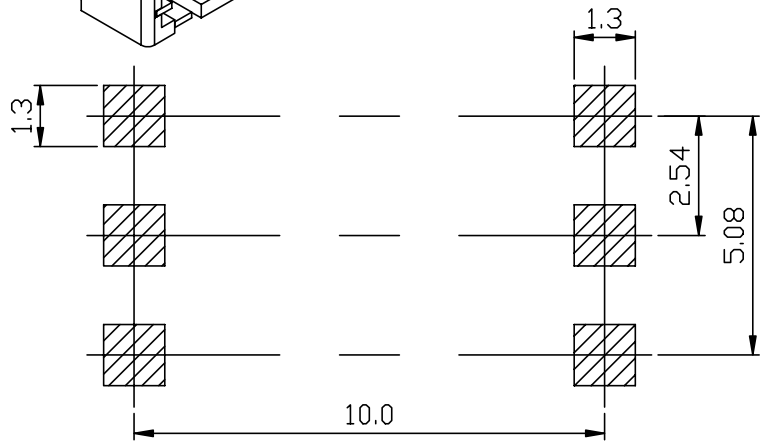
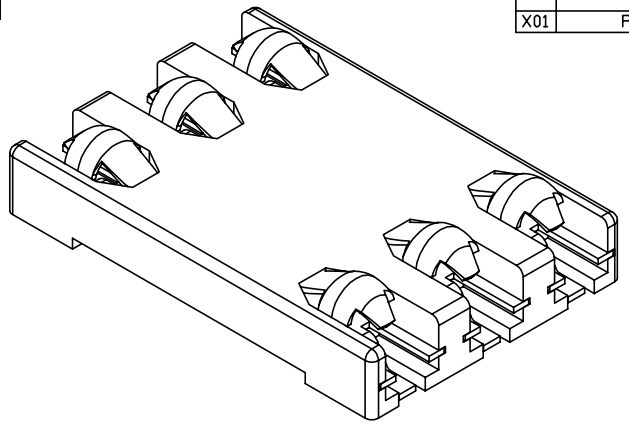
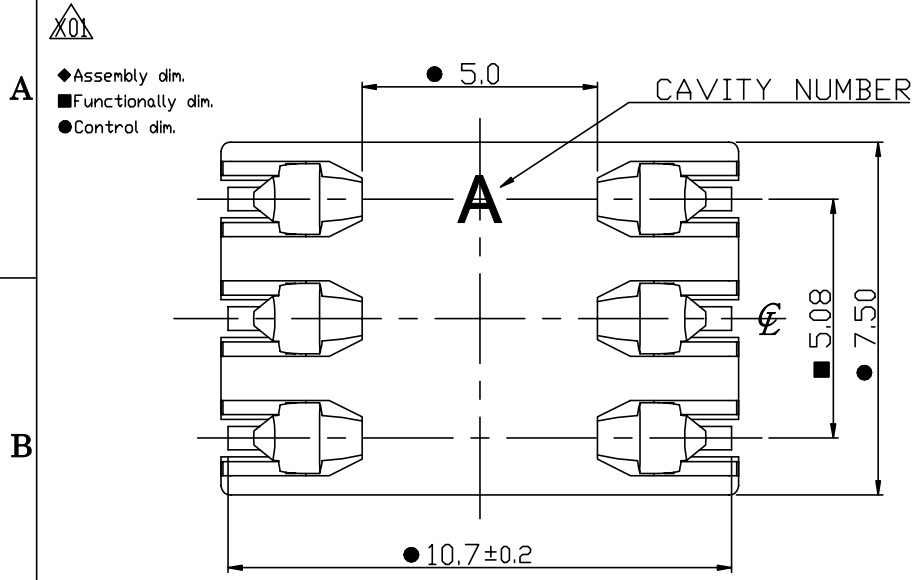


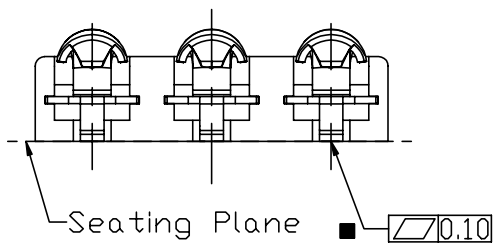
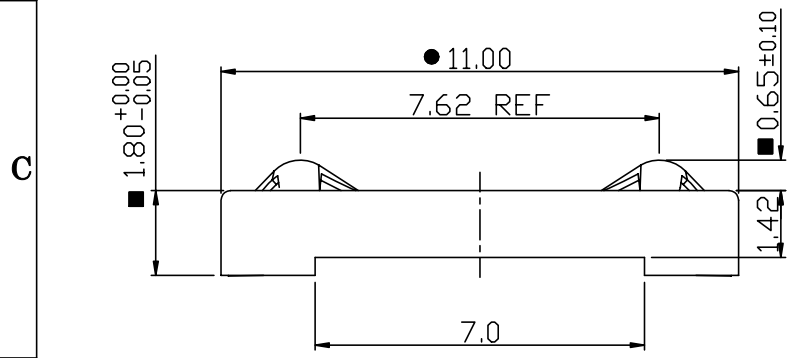
THESE DRAWINGS AND SPECIFICATIONS ARE THE SOLE PROPERTY OF ADVANCED CONNECTION TECHNOLOGY INC. AND SHALL NOT BE REPRODUCED, COPIED, OR USED IN ANY MANNER WITHOUT THE PRIOR WRITTEN CONSENT OF ADVANCED CONNECTION TECHNOLOGY INC. OR ITS AFFILIATED SUBSIDIARIES.

CAD FILE: XS0200107a

REV.	DESCRIPTION	DWG.		APPROVED	
		NAME	DATE	NAME	DATE
X01	PROTOTYPE	Balon	2006/08/29	Hunter	2006/08/29



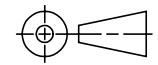
**RECOMMENDED PCB LAYOUT  
(GENERAL TOLERANCES : ±0.05)**



Approval Signature

NOTE:  
1. Material :  
1-1. Housing: LCP, UL94V-0, BLACK.  
1-2. Contact: COPPER ALLOY.  
2. FINISH:  
2-1. CONTACT AREA: GOLD OVER NICKEL.  
2-2. SOLDERING AREA: Sn OVER NICKEL.

INTENDED USE: ACT		<b>ACT</b> Advanced Connection Technology Inc. TAIWAN, R.O.C. TEL: 886-2-88091060			
GENERAL DIMENSION		TITLE: Sim Card conn. P 2.54*H 1.80mm.		DRAWN: Balon	2006/08/29
XX±0.20	.x±0.10	DWG NO: 217-02001-07		CHECKED: Ahua	2006/08/29
X±0.15	.xx±0.07			REV: X01	APPROVED: Hunter
UNIT: mm		SCALE: 6.25 : 1	SHEET: 1 OF 2	NAME	DATE



THESE DRAWINGS AND SPECIFICATIONS ARE THE SOLE PROPERTY OF ADVANCED CONNECTION TECHNOLOGY INC. AND SHALL NOT BE REPRODUCED, COPIED, OR USED IN ANY MANNER WITHOUT THE PRIOR WRITTEN CONSENT OF ADVANCED CONNECTION TECHNOLOGY INC. OR ITS AFFILIATED SUBSIDIARIES.

CAD FILE:XS0200107b

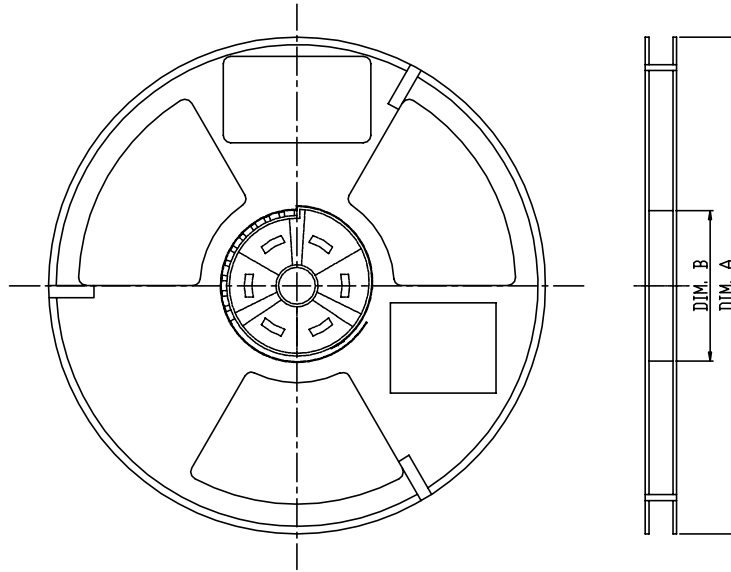
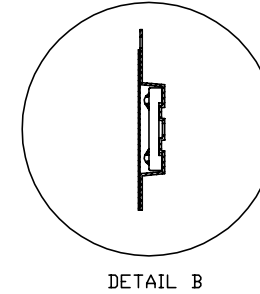
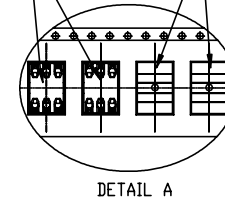
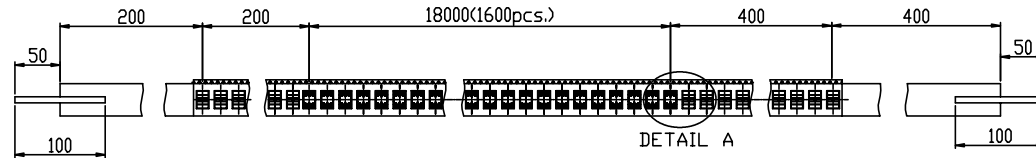
REV.	DESCRIPTION	DWG		APPROVED	
		NAME	DATE	NAME	DATE
X01	PROTOTYPE	Balon	2006/08/29	Hunter	2006/08/29



- ◆ Assembly dim.
- Functionally dim.
- Control dim.

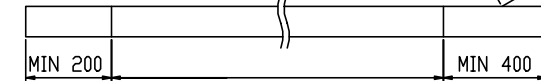
Sim Card (Vacant)

Pull out in this direction



NOTE:

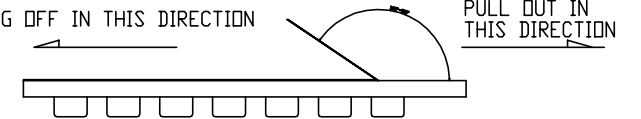
- PACKING PREPARE LEADER AND EMPTY. DETAIL AS BELOW (UNIT:mm)



TAIL(EMPTY) WITH CONNECTOR LEADER(EMPTY)

- FORCE OF TEARING OFF TOP TAPE 15~80 gf.

TEARING OFF IN THIS DIRECTION



- EDGE OF ROLLING UP SHOULD BE ADHERED. THE TOP COVER TAPE TO THE SIDE OF REEL AN ADHENSIVE TAPE.
- TOP COVER TAPE SHOULD BE LIMITED IN AREA OF PLASTIC TAPE.
- PLASTIC REEL ---DIM A  $\phi$ 330.2\*DIM B  $\phi$ 100.
- QUANTITY---PLASTIC REEL ABOUT 1600 PCS.

INTENDED USE: ACT		<b>ACT</b> Advanced Connection Technology Inc. TAIWAN, R.O.C. TEL: 886-2-88091060			
GENERAL DIMENSION		TITLE: CARRIER TAPE FOR 217-02001-07		DRAWN: Balon 2006/08/29	
XX±0.20	.x±0.10	DWG NO: 217-02001-07		CHECKED: Ahua 2006/08/29	
X±0.15	.xx±0.07	REV. X01		APPROVED: Hunter 2006/08/29	
		UNIT: mm	SCALE: 1:5	SHEET 2 OF 2	NAME DATE