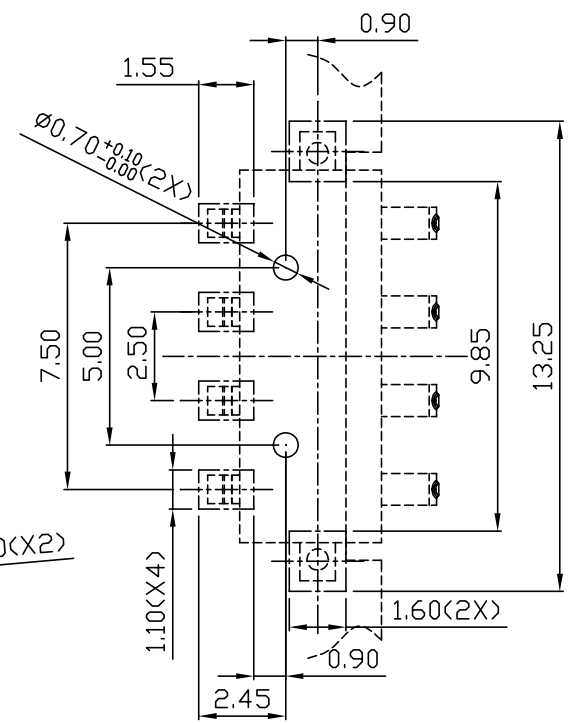
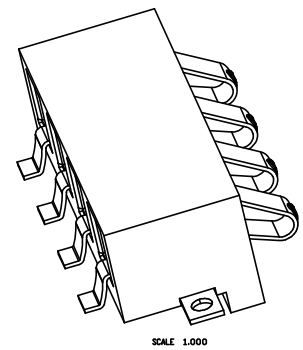


THESE DRAWINGS AND SPECIFICATIONS ARE THE SOLE PROPERTY OF ADVANCED CONNECTION TECHNOLOGY INC. AND SHALL NOT BE REPRODUCED, COPIED, OR USED IN ANY MANNER WITHOUT THE PRIOR WRITTEN CONSENT OF ADVANCED CONNECTION TECHNOLOGY INC. OR ITS AFFILIATED SUBSIDIARIES.

CAD FILE: XS0400001.d

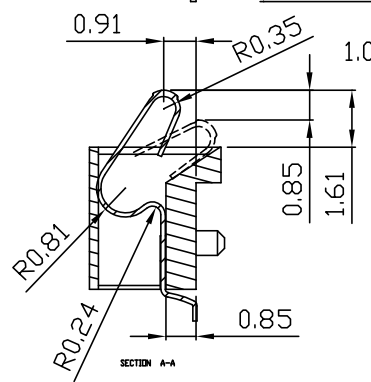
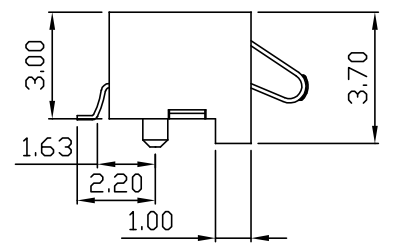
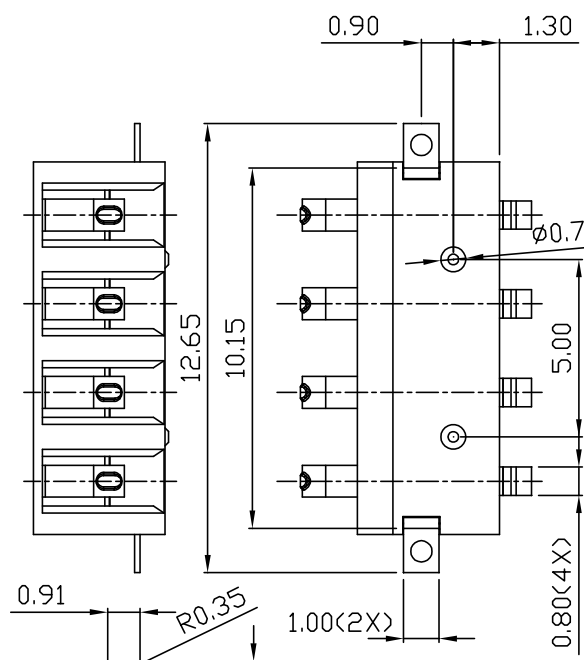
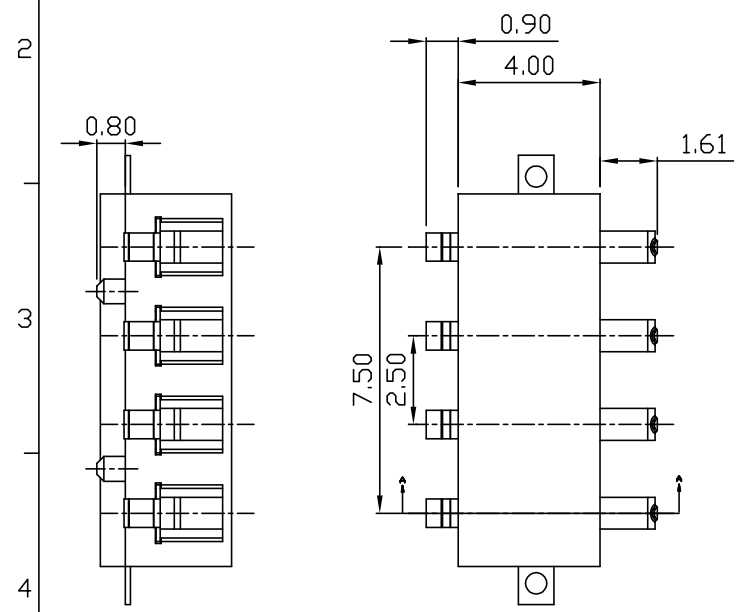
REV.	DESCRIPTION	DWG		APPROVED	
		NAME	DATE	NAME	DATE
X01	PROTOTYPE	Eddie	11/14/2005	Venky	01/24/2006

- ◆ Assembly dim.  
 ■ Functionally dim.  
 ● Control dim.



RECOMMENDED PAD LAYOUT  
 Components Side

- Notes:
- Material:
    - 1-1. Housing : Nylon 9T, Black, UL94V0.
    - 1-2. Contact : BeCu.
    - 1-3. Soldering Pin : Copper alloy.
  - Plating
    - 2-1. Contact : Ni 50~90u", Au 30u"(Contact area), Gold Flash(Soldering area)
    - 2-2. Soldering Pin : Ni 50~90u", Sn 150~200u".
  - Coplanarity : 0.10mm MAX.
  - 括號為參考尺寸。



INTENDED USE: ACT		<b>ACT</b> Advanced Connection Technology Inc. TAIWAN, R.O.C. TEL: 886-2-88091060			
GENERAL DIMENSION		TITLE: 4 Pin BATTERY Pitch 2.5mm		DRAWN: Eddie 11/14/2005	
XX±0.30	.X±0.15	DWG NO: 800-04000-01 X01		CHECKED: Kieth 01/24/2006	
X±0.20	.XX±0.10	REV. X01		APPROVED: Venky 01/24/2006	
UNIT: mm		SCALE: NONE	SHEET 1 OF 1	NAME	DATE