

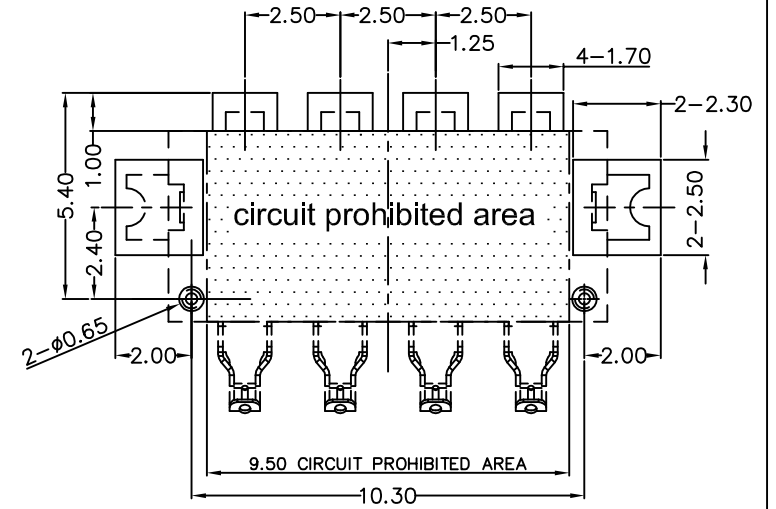
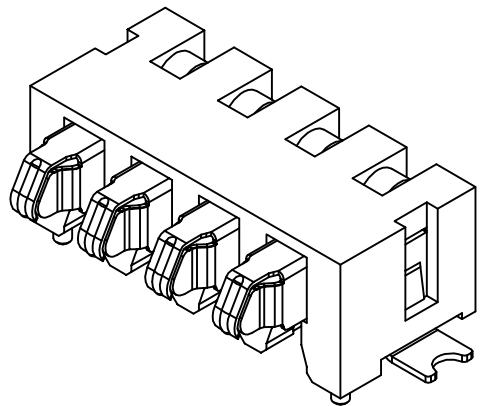
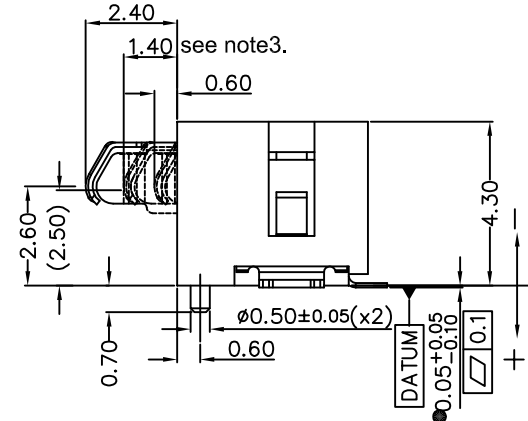
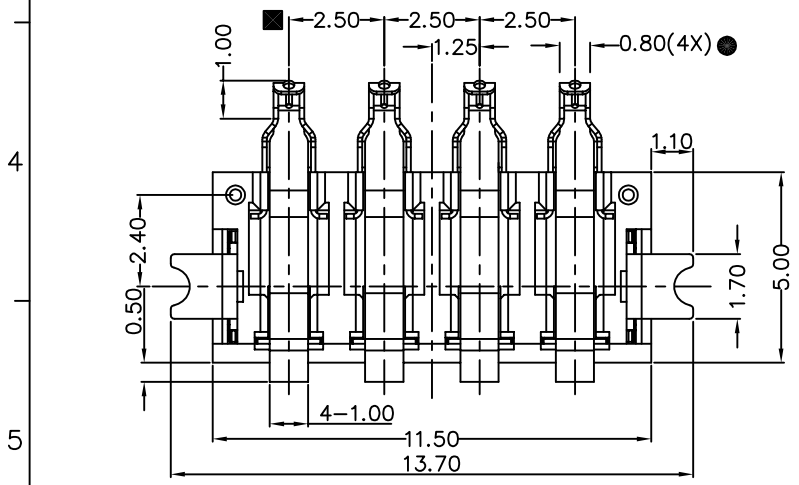
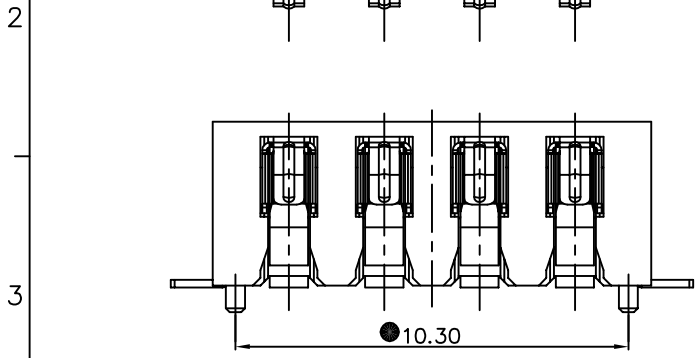
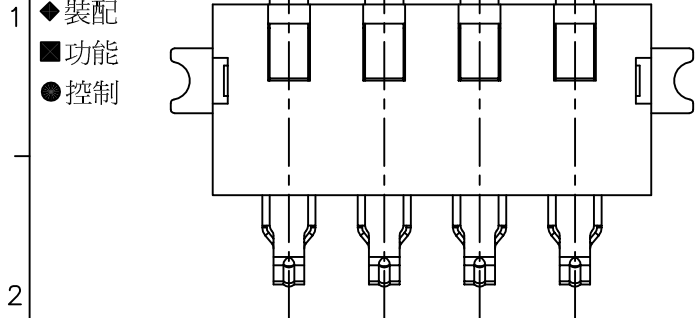
THESE DRAWINGS AND SPECIFICATIONS ARE THE SOLE PROPERTY OF ADVANCED CONNECTION TECHNOLOGY INC. AND SHALL NOT BE REPRODUCED, COPIED, OR USED IN ANY MANNER WITHOUT THE PRIOR WRITTEN CONSENT OF ADVANCED CONNECTION TECHNOLOGY INC. OR ITS AFFILIATED SUBSIDIARIES.

CAD FILE: S0400011a

REV.	DESCRIPTION	DWG		APPROVED	
		NAME	DATE	NAME	DATE
AA	RELEASED	Erin	03/19/2007	Howard	03/20/2007

AA

- ◆ 装配
- 功能
- 控制



RECOMMENDED PCB LAYOUT
TOLERANCE : ±0.05mm

NOTE:

1. Material:
 - Housing: High-Temperature Nylon, UL94V-0, BLACK.
 - Contact: Copper alloy.
 - Plating: Ni Over all, Au (Contact area), Au (Soldering area).
 - Soldering Pin: Copper alloy.
 - Plating: Ni, Sn Over all.
2. COPLANARITY SHOULD BE WITHIN 0.1mm.
3. CONTACT FORCE: 100gf MIN AT contact 1.4mm height

INTENDED USE: THTC		ACT Advanced Connection Technology Inc. TAIWAN, R.O.C. TEL: 886-2-88091060			
GENERAL DIMENSION		TITLE: 4pin Battery Conn. Pitch=2.5mm		DRAWN: Erin 03/19/2007	
XX±0.25	.X±0.15	DWG NO:		CHECKED: Kleth 03/19/2007	
X±0.20	.XX±0.1	REV.		APPROVED: Howard 03/20/2007	
		800-04000-11 AA		NAME DATE	
UNIT: mm		SCALE: NONE		SHEET 1 OF 2	

