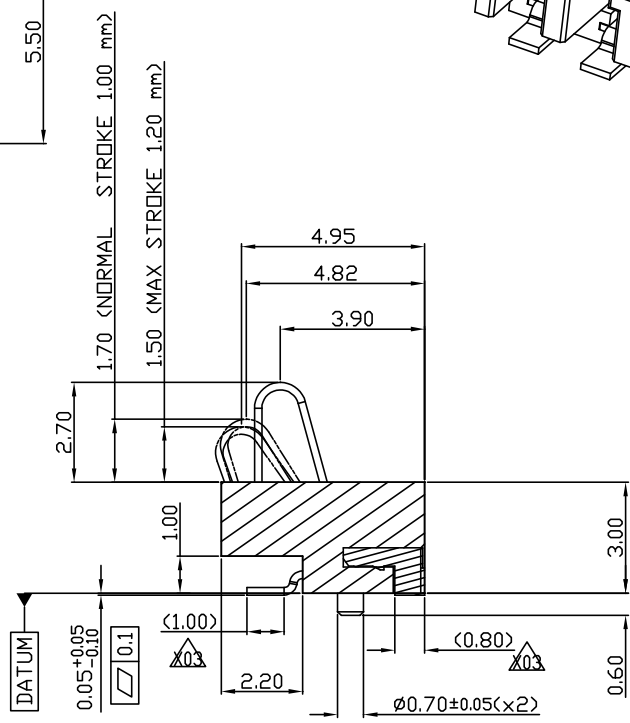
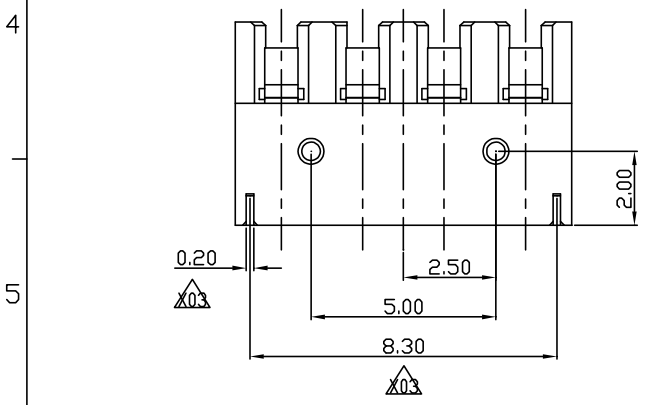
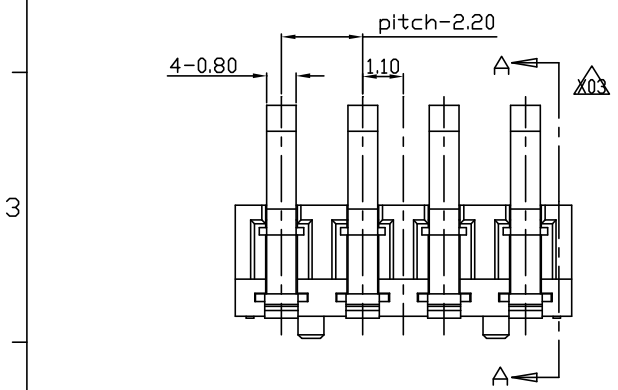
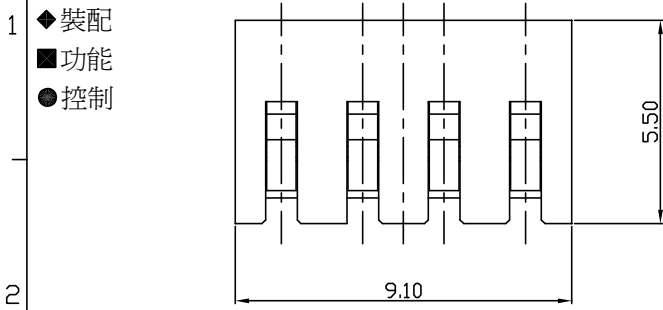


THESE DRAWINGS AND SPECIFICATIONS ARE THE SOLE PROPERTY OF ADVANCED CONNECTION TECHNOLOGY INC. AND SHALL NOT BE REPRODUCED, COPIED, OR USED IN ANY MANNER WITHOUT THE PRIOR WRITTEN CONSENT OF ADVANCED CONNECTION TECHNOLOGY INC. OR ITS AFFILIATED SUBSIDIARIES.

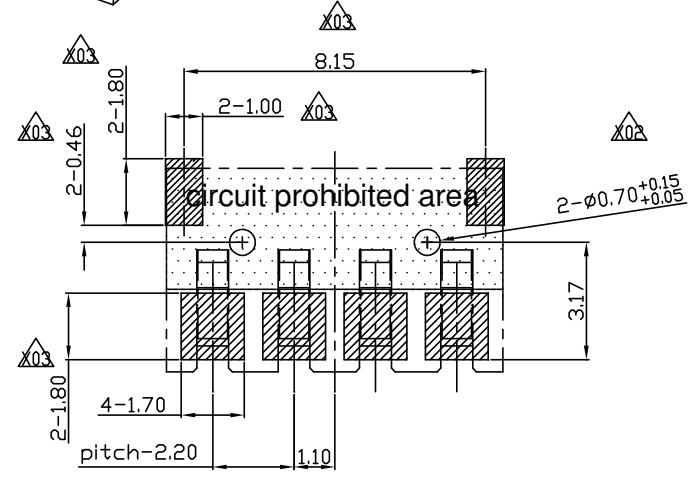
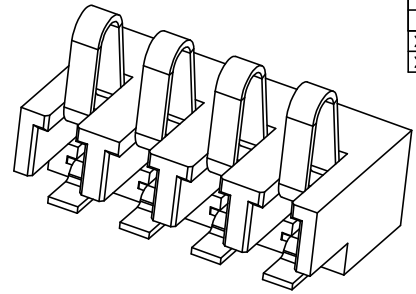
CAD FILE:XS0400105a

REV.	DESCRIPTION	DWG		APPROVED	
		NAME	DATE	NAME	DATE
X01	PROTOTYPE	Kimi	2006/07/10	Howard	2006/07/10
X02	PROTOTYPE	Kimi	2006/07/12	Howard	2006/07/12
X03	PROTOTYPE	Kimi	2006/07/13	Howard	2006/07/13

- ◆ 装配
- 功能
- 控制



SECTION A-A



RECOMMENDED PCB LAYOUT
TOLERANCE : ±0.05mm

NOTE:

1. Material:
Housing: High-Temperature Nylon, UL94V-0, BLACK.
Contact: Copper alloy.
Plating: Ni Over all, Au (Contact area), Au (Soldering area).
Soldering Pin: Copper alloy.
Plating: Ni, Sn Over all.
2. COPLANARITY SHOULD BE WITHIN 0.1mm.

INTENDED USE: TMIT		ACT Advanced Connection Technology Inc. TAIWAN, R.O.C. TEL: 886-2-88091060			
GENERAL DIMENSION		TITLE: 4pin Battery Conn. Pitch=2.2mm		DRAWN: Kimi 07/13/2006	
XX±0.25	.XX±0.15	DWG NO: 800-04001-05 X03		CHECKED: Kieth 07/13/2006	
X±0.20	.XX±0.1	REV.		APPROVED: Howard 07/13/2006	
UNIT: mm		SCALE: NONE		SHEET 1 OF 1	
NAME		DATE			