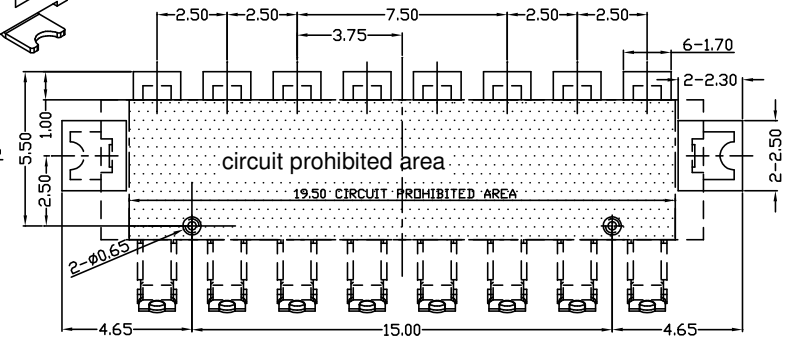
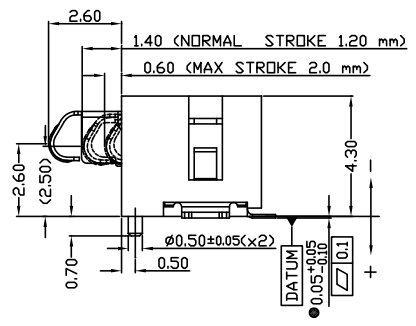
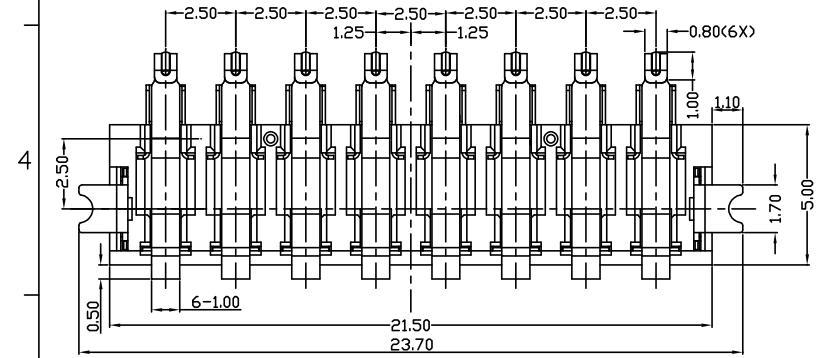
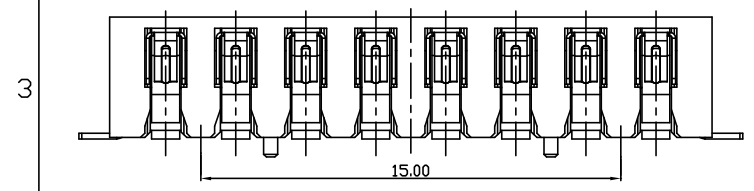
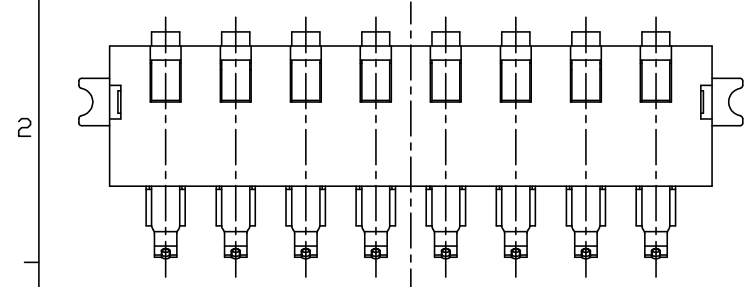
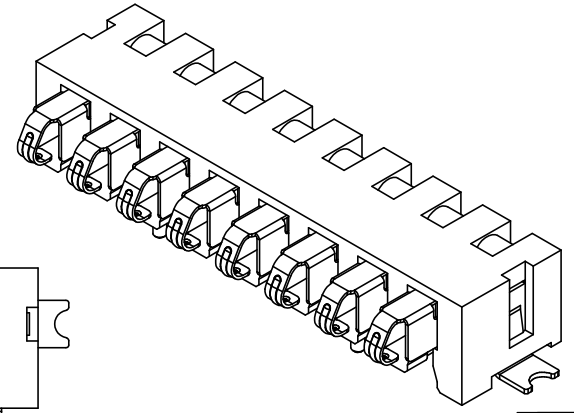


THESE DRAWINGS AND SPECIFICATIONS ARE THE SOLE PROPERTY OF ADVANCED CONNECTION TECHNOLOGY INC. AND SHALL NOT BE REPRODUCED, COPIED, OR USED IN ANY MANNER WITHOUT THE PRIOR WRITTEN CONSENT OF ADVANCED CONNECTION TECHNOLOGY INC. OR ITS AFFILIATED SUBSIDIARIES.

CAD FILE:XS0800001a

REV.	DESCRIPTION	DWG		APPROVED	
		NAME	DATE	NAME	DATE
X01	PROTOTYPE	Kie'th	05/08/2006	Venky	05/09/2006

- ◆ 裝配
- 功能
- 控制



RECOMMENDED PCB LAYOUT
TOLERANCE : ±0.05mm

NOTE:

1. Material:
 - Housing: High-Temperature Nylon, UL94V-0, BLACK.
 - Contact: Copper alloy.
 - Plating: Ni Over all, Au (Contact area), Au (Soldering area).
 - Soldering Pin: Copper alloy.
 - Plating: Ni, Sn Over all.
2. COPLANARITY SHOULD BE WITHIN 0.1mm.
3. CONTACT FORCE: 110gf MIN AT STORKE OF 1.2mm.

INTENDED USE: THTC		ACT Advanced Connection Technology Inc. TAIWAN, R.O.C. TEL: 886-2-88091060			
GENERAL DIMENSION		TITLE: 8pin Battery Conn. Pitch=2.5mm		DRAWN: Kieth 05/08/2006	
XX±0.25	.X±0.15	DWG NO: 800-08000-01		CHECKED: Eric 05/08/2006	
X±0.20	.XX±0.1	REV: X01		APPROVED: Venky 05/09/2006	
UNIT: mm		SCALE: NONE		SHEET 1 OF 1	
NAME		DATE			

