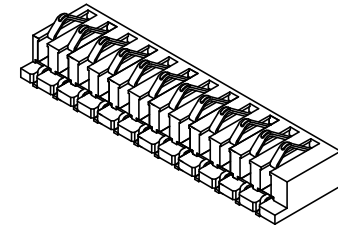
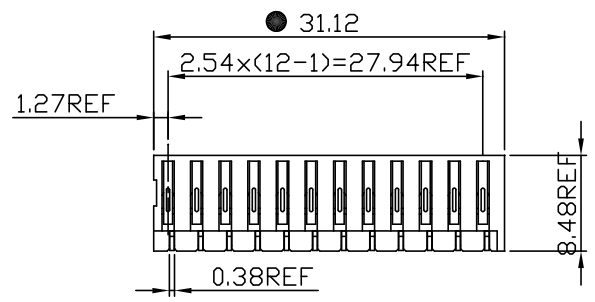


THESE DRAWINGS AND SPECIFICATIONS ARE THE SOLE PROPERTY OF ADVANCED CONNECTION TECHNOLOGY INC. AND SHALL NOT BE REPRODUCED, COPIED, OR USED IN ANY MANNER WITHOUT THE PRIOR WRITTEN CONSENT OF ADVANCED CONNECTION TECHNOLOGY INC. OR ITS AFFILIATED SUBSIDIARIES.

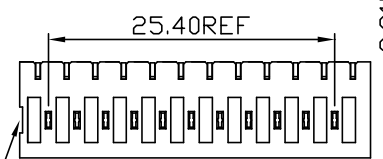
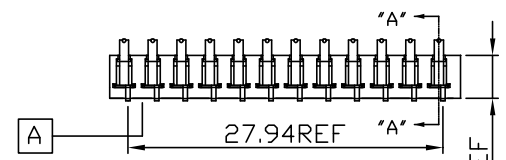
CAD FILE: S1200100A

REV.	DESCRIPTION	DWG		APPROVED	
		NAME	DATE	NAME	DATE
AA	RELEASED	Janice	12/05/2006	Venky	12/05/2006
AB	ECNX:DC0612014	Janice	12/12/2006	Venky	12/12/2006
AC	ECNX:DC0701009	Janice	01/05/2007	Venky	01/05/2007

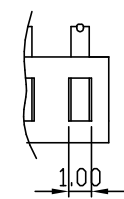
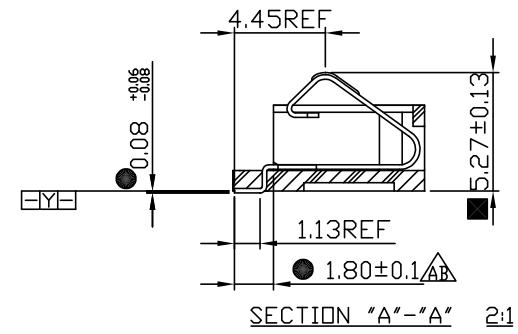
- 1 ◆ Assembly dim.
- 2 ■ Functionally dim.
- 3 ● Control dim.



- NOTES:
- MATERIAL, HOUSING: LCP, UL94V-0, BLACK.
CONTACT: PHOSPHOR BRONZE.
 - FINISH, CONTACT: GOLD 50u" ON CONTACT AREA,
Sn ON SOLDERING AREA, Ni ALL OVER.
 - MAX ALLOWABLE BOW: TOP/BOTTOM: 0.10mm
SIDE/SIDE: 0.10mm
 - ALL IDENTIFICATION MARKS SHALL NOT APPEAR ON SURFACE A
 - PLEASE PUT LOT DATE, QUANTITY AND CUSTOMER P/N ON THE OUT CARTON
 - CUSTOMER P/N: ASP-128537-01
 - THE GATE CAN BE EITHER IN THE RIGHT SIDE OR LEFT SIDE, AND THE DEPTH OF IT SHOULD BE 0.254mm
 - BURR ALLOWANCE: 0.038MAX.
 - MINIMUM PUSHOUT FORCE: 1LB
 - IF THERE ARE MORE THAN ONE P/N IN A BOX, PLEASE SEPARATE THE DIFFERENT PARTS IN THE DIFFERENT BAGS.
 - PLEASE PUT 5PCS SAMPLE FROM EVERY CAVITY IN A SEPERATE TUBE & DON'T WRAP THIS TUBE.
 - PLEASE PUT THE LABEL THAT HAS CUSTOMER P/N ON EACH TUBE.



(NOTE 7.)



Approval Signature

INTENDED USE: +USSAM		ACT Advanced Connection Technology Inc. TAIWAN, R.O.C. TEL: 886-2-88091060			
GENERAL DIMENSION		TITLE: "G" SINGLE INTERFACE BEAM(LC) 12pin		DRAWN: Janice 01/05/2007	
XX±0.25	X.X±0.15	DWG NO: 800-12001-00		CHECKED: Howard 01/05/2007	
X±0.20	.XX±0.10	REV: AC		APPROVED: Venky 01/05/2007	
UNIT: mm		SCALE: NONE		SHEET 1 OF 2	
NAME		DATE			

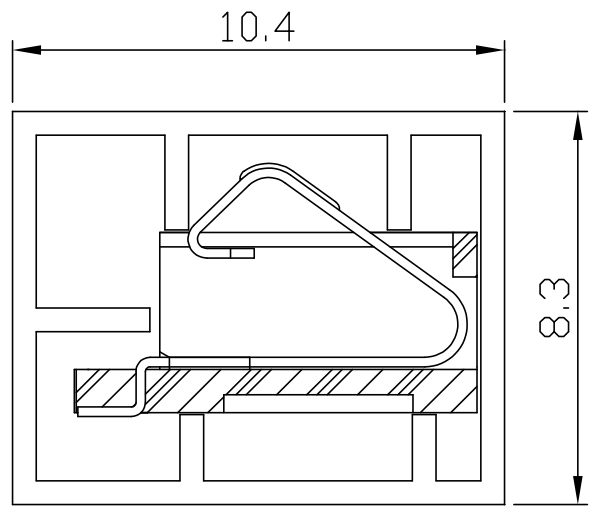
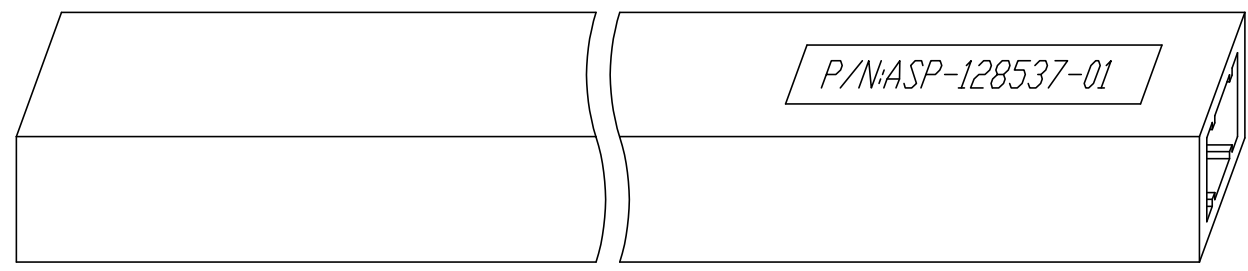
THESE DRAWINGS AND SPECIFICATIONS ARE THE SOLE PROPERTY OF ADVANCED CONNECTION TECHNOLOGY INC. AND SHALL NOT BE REPRODUCED, COPIED, OR USED IN ANY MANNER WITHOUT THE PRIOR WRITTEN CONSENT OF ADVANCED CONNECTION TECHNOLOGY INC. OR ITS AFFILIATED SUBSIDIARIES.

CAD FILE: S1200100B

REV.	DESCRIPTION	DWG		APPROVED	
		NAME	DATE	NAME	DATE
AA	RELEASED	Janice	12/05/2006	Venky	12/05/2006
AB	ECNX:DC0612014	Janice	12/12/2006	Venky	12/12/2006
AC	ECNX:DC0701009	Janice	01/05/2007	Venky	01/05/2007



- ◆ Assembly dim.
- Functionally dim.
- Control dim.



NOTES:

- 1. THICKNESS OF MATERIAL >0.5mm
- 2. LENGTH :56cm
- △ 3. 17 PCS/TUBE

Approval Signature

INTENDED USE: +USSAM		ACT Advanced Connection Technology Inc. TAIWAN, R.O.C. TEL: 886-2-88091080			
GENERAL DIMENSION		TITLE: "G" SINGLE INTERFACE BEAM(LC) 12pin		DRAWN: Janice 01/05/2007	
XX±0.25	X.X±0.15	DWG NO: 800-12001-00		CHECKED: Howard 01/05/2007	
X±0.20	.XX±0.10	REV: AC		APPROVED: Venky 01/05/2007	
		UNIT: mm	SCALE: NONE	SHEET 2 OF 2	NAME DATE