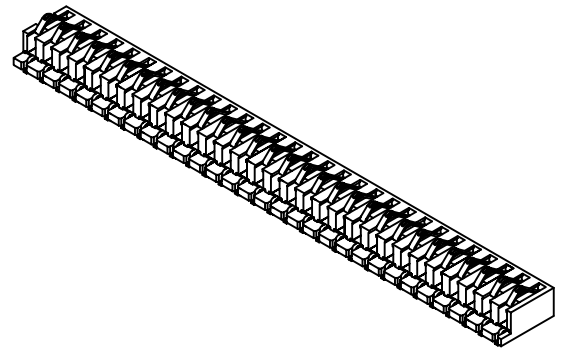
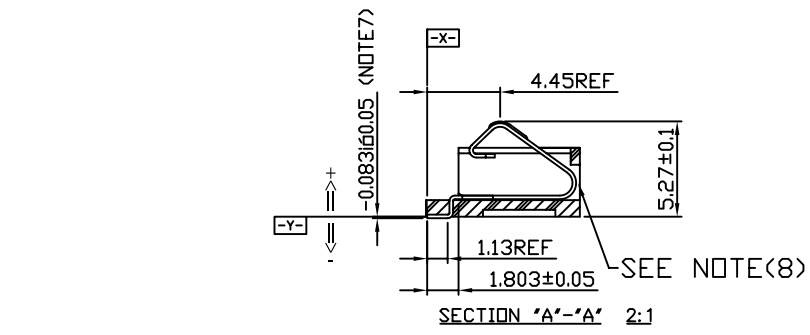
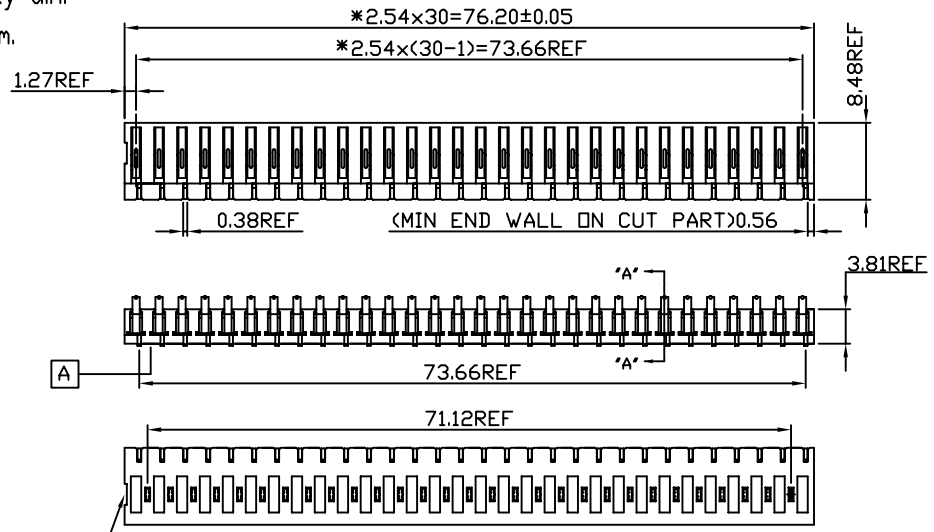


THESE DRAWINGS AND SPECIFICATIONS ARE THE SOLE PROPERTY OF ADVANCED CONNECTION TECHNOLOGY INC. AND SHALL NOT BE REPRODUCED, COPIED, OR USED IN ANY MANNER WITHOUT THE PRIOR WRITTEN CONSENT OF ADVANCED CONNECTION TECHNOLOGY INC. OR ITS AFFILIATED SUBSIDIARIES.

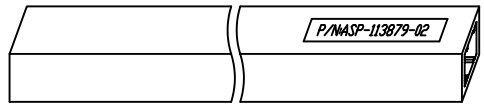
CAD FILE: S3000000a

REV.	DESCRIPTION	DWG		APPROVED	
		NAME	DATE	NAME	DATE
AA	RELEASED	Lily	2006/05/12	Hunter	2006/05/12

- ◆ Assembly dim.
- Functionally dim.
- Control dim.



- NOTES:
- MATERIAL, HOUSING: LCP, UL94V-0, BLACK.  
CONTACT: PHOSPHOR BRONZE.
  - FINISH, CONTACT: GOLD FLASH ON CONTACT AREA,  
Sn ON SOLDERING AREA, Ni ALL OVER.
  - MAX ALLOWABLE BOW: TOP/BOTTOM: 0.10mm  
SIDE/SIDE: 0.10mm
  - ALL IDENTIFICATION MARKS SHALL NOT APPEAR ON SURFACE A
  - PLEASE PUT LOT DATE, QUANTITY AND CUSTOMER P/N ON THE OUT CARTON
  - CUSTOMER P/N: NASP-113879-02
  - THE GATE CAN BE EITHER IN THE RIGHT SIDE OR LEFT SIDE, AND THE DEPTH OF IT SHOULD BE 0.254mm
  - BURR ALLOWANCE: 0.038MAX.
  - MINIMUM PUSHOUT FORCE: 1LB
  - IF THERE ARE MORE THAN ONE P/N IN A BOX, PLEASE SEPARATE THE DIFFERENT PARTS IN THE DIFFERENT BAGS.
  - PLEASE PUT 5PCS SAMPLE FROM EVERY CAVITY IN A SEPERATE TUBE & DON'T WRAP THIS TUBE.
  - PLEASE PUT THE LABEL THAT HAS CUSTOMER P/N ON EACH TUBE.



Approval Signature

INTENDED USE: USSAM		<b>SACT</b> Advanced Connection Technology Inc. TAIWAN, R.O.C. TEL: 886-2-88091060			
GENERAL DIMENSION		TITLE: G, SINGLE INTERFACE BEAM(LC)		DRAWN: Lily	2006/05/12
XX±0.30	.X±0.15	DWG NO: 800-30000-00		CHECKED: Ahua	2006/05/12
X±0.20	.XX±0.10	REV. AA	APPROVED: Hunter		2006/05/12
UNIT: mm		SCALE: 1:1	SHEET 1 OF 2	NAME	DATE

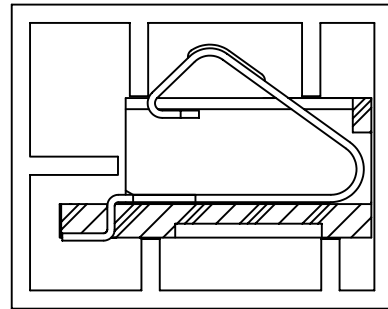
THESE DRAWINGS AND SPECIFICATIONS ARE THE SOLE PROPERTY OF ADVANCED CONNECTION TECHNOLOGY INC. AND SHALL NOT BE REPRODUCED, COPIED, OR USED IN ANY MANNER WITHOUT THE PRIOR WRITTEN CONSENT OF ADVANCED CONNECTION TECHNOLOGY INC. OR ITS AFFILIATED SUBSIDIARIES.

CAD FILE: S3000000b

REV.	DESCRIPTION	DWG		APPROVED	
		NAME	DATE	NAME	DATE
AA	RELEASED	Lily	2006/05/12	Hunter	2006/05/12



- ◆ Assembly dim.
- Functionally dim.
- Control dim.



NOTES:

1. Packing's Material : T>0.5mm
2. Length: 56cm
3. 7 PCS/TUBE

Approval Signature

INTENDED USE: USSAM		<b>SACT</b> Advanced Connection Technology Inc. TAIWAN, R.O.C. TEL: 886-2-88091060			
GENERAL DIMENSION		TITLE: G, SINGLE INTERFACE BEAM(LC)		DRAWN: <i>Lily</i>	2006/05/12
<del>XX±0.30</del>	<del>X±0.15</del>	DWG NO: 800-30000-00		CHECKED: <i>Shua</i>	2006/05/12
<del>X±0.20</del>	<del>.XX±0.10</del>	REV. AA	APPROVED: <i>Hunter</i>		2006/05/12
		UNIT: mm	SCALE: 1:1	SHEET 2 OF 2	NAME DATE