

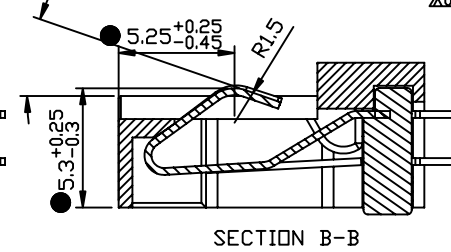
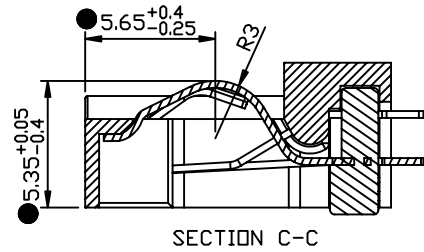
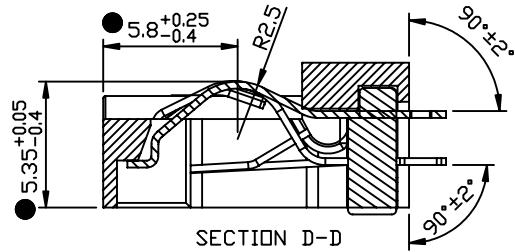
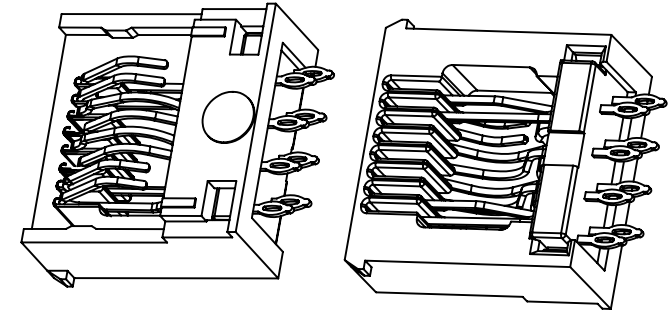
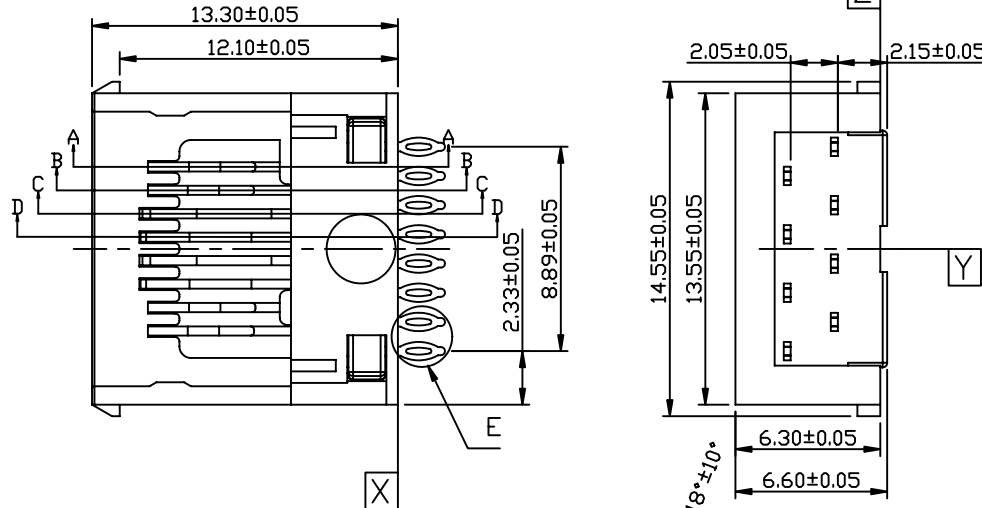
THESE DRAWINGS AND SPECIFICATIONS ARE THE SOLE PROPERTY OF ADVANCED CONNECTION TECHNOLOGY INC. AND SHALL NOT BE REPRODUCED, COPIED, OR USED IN ANY MANNER WITHOUT THE PRIOR WRITTEN CONSENT OF ADVANCED CONNECTION TECHNOLOGY INC. OR ITS AFFILIATED SUBSIDIARIES.

CAD FILE: XS0088002a

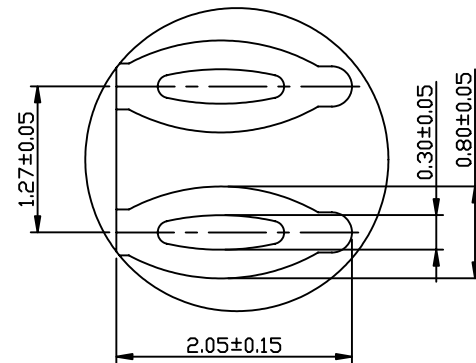
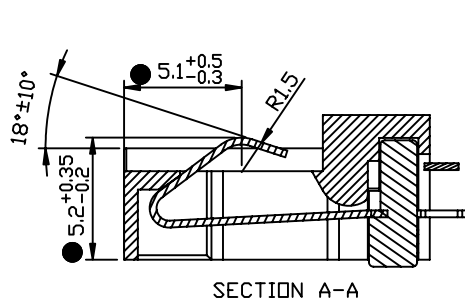
REV.	DESCRIPTION	DWG		APPROVED	
		NAME	DATE	NAME	DATE
X01	PROTOTYPE	Balon	2006/09/09	Hunter	2006/09/09
X02	EDIT DRAWING	Balon	2006/11/16	Hunter	2006/11/16
X03	CHANGE DIM	Ahua	2007/01/12	Hunter	2007/01/12
X04	CHANGE DIM	Balon	2007/01/29	Hunter	2007/01/29
X05	CHANGE MATERISL	Balon	2007/02/15	Hunter	2007/02/15
X06	CHANGE NOTE	Balon	2007/03/01	Hunter	2007/03/01



- ◆ Assembly dim.
- Functionally dim.
- Control dim.



NOTE:
 1.MATERIAL
 1-1.SUPPORT D'INSERT: PA66,UL94V-0,BLACK
 1-2.INSERT
 1-2-1HOUDING: PBT, UL94V-0.
 1-2-2CONTACT: C5210R-EH,t=0.30mm
 2.PLATING
 Complete Nickel plating 1.26um mini
 Tinning areas : 0.5um mini
 Gold plating area : 0.8um mini



DETAIL E
SCALE: 5:1

Approval Signature

INTENDED USE: HKROC		ACT Advanced Connection Technology Inc. TAIWAN, R.O.C. TEL: 886-2-88091060			
GENERAL DIMENSION		TITLE: 8P8C Plug, plastic jack+insert molding		DRAWN: Balon	2007/03/01
XX±1.0	X±0.5	DWG NO: 325-00880-02		CHECKED: Ahua	2007/03/01
X.X±0.3	.XX±0.10	REV. X06		APPROVED: Hunter	2007/03/01
UNIT: mm		SCALE: NONE	SHEET 1 OF 1	NAME	DATE

