

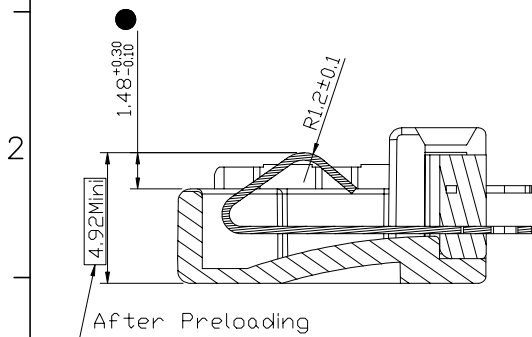
THESE DRAWINGS AND SPECIFICATIONS ARE THE SOLE PROPERTY OF ADVANCED CONNECTION TECHNOLOGY INC. AND SHALL NOT BE REPRODUCED, COPIED, OR USED IN ANY MANNER WITHOUT THE PRIOR WRITTEN CONSENT OF ADVANCED CONNECTION TECHNOLOGY INC. OR ITS AFFILIATED SUBSIDIARIES.

CAD FILE: S0088006a

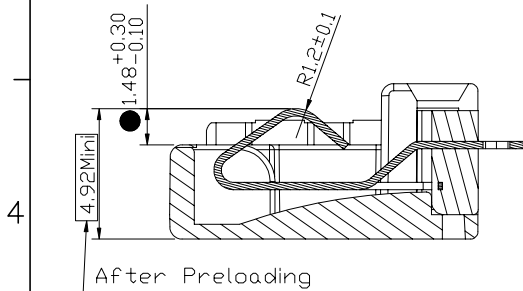
REV.	DESCRIPTION	DWG		APPROVED	
		NAME	DATE	NAME	DATE
AA	RELEASED	Memory	May 28/2008	Hunter	May 28/2008
AB	ECN NO:DC0810049	Jone	Nov/12/2008	Hunter	Nov/12/2008
AC	ECN NO:DC0812008	Jone	Dec/01/2008	Hunter	Dec/01/2008

△ AC

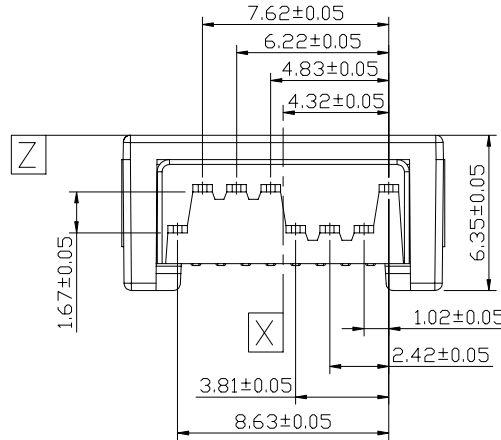
- 1 ■ Functionally dim.
- ◆ Assembly dim.
- Control dim.



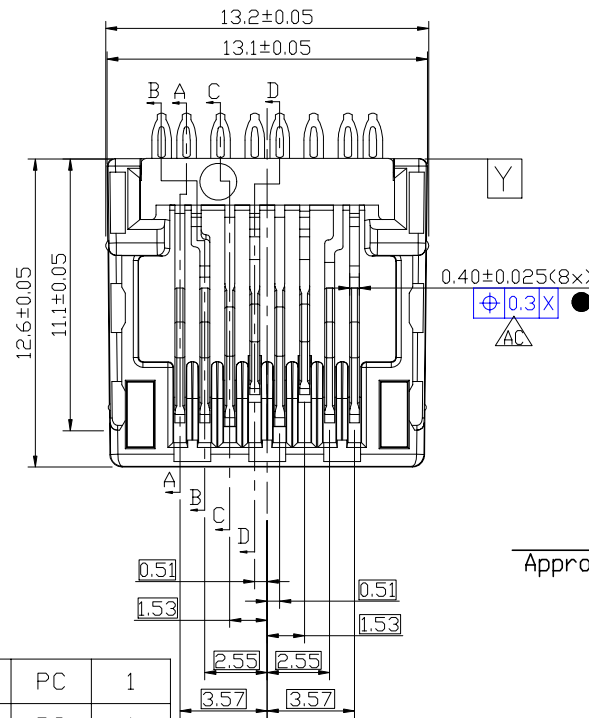
SECTION A-A
PIN2/8



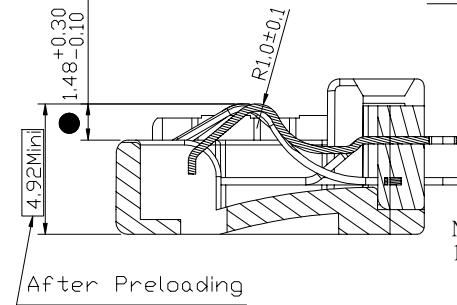
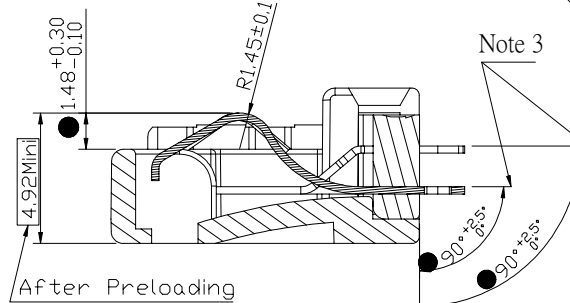
SECTION B-B
PIN1/7



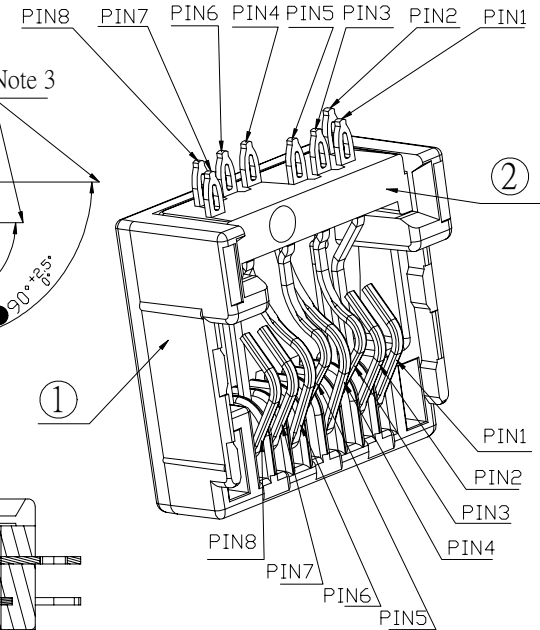
SECTION C-C
PIN4/6



SECTION D-D
PIN3/5



Approval Signature _____



NOTE:
 1.MATERIAL
 1-1.SUPPORT D'INSERT: PA66,UL94V-0,black
 1-2.INSERT
 1-2-1HOUDING: PC,UL94V-0,Black.
 1-2-2CONTACT: C5210R-EH,t=0.30mm
 2.PLATING
 COMPLETE NICKEL PLATING 1.26um MINI
 TINING PLATING AREA(SELETIVE) : 0.5um MINI
 GOLD PLATING AREA(selective) : 0.8um MINI
 3.FOR THE ALL SOLDER OF CONTACT

ITEM	P/N	REQ'D	DESCRIPTION	UNIT	Q'TY
②	2119-000-014		Insert mold	PC	1
①	2110-001-121		Support	PC	1

INTENDED USE: ACT	Advanced Connection Technology TAIWAN TEL: 886-2-88091060			
	GENERAL DIMENSION XX±1		TITLE: 8P8C Jack (Insert V8)	
X.X±0.3	DWG NO: 325-00880-06		REV. AC	DRAWN: Jone Dec./01/2008
	UNIT: mm	SCALE: NONE	SHEET 1 OF 1	CHECKED: Balon Dec./01/2008
APPROVED: Ahua Dec./01/2008		NAME DATE		