

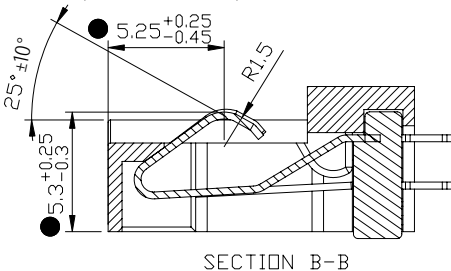
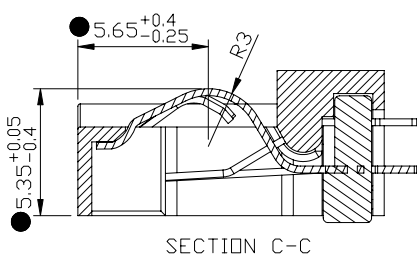
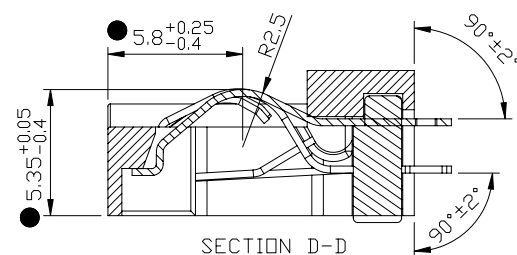
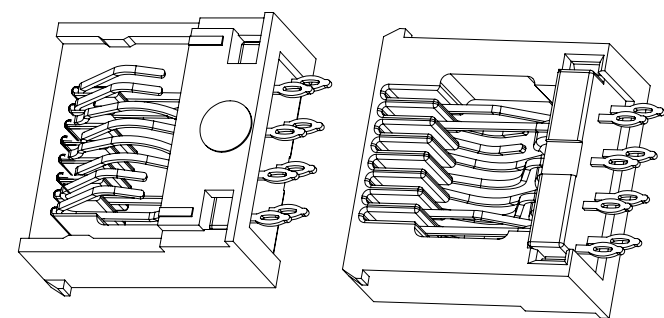
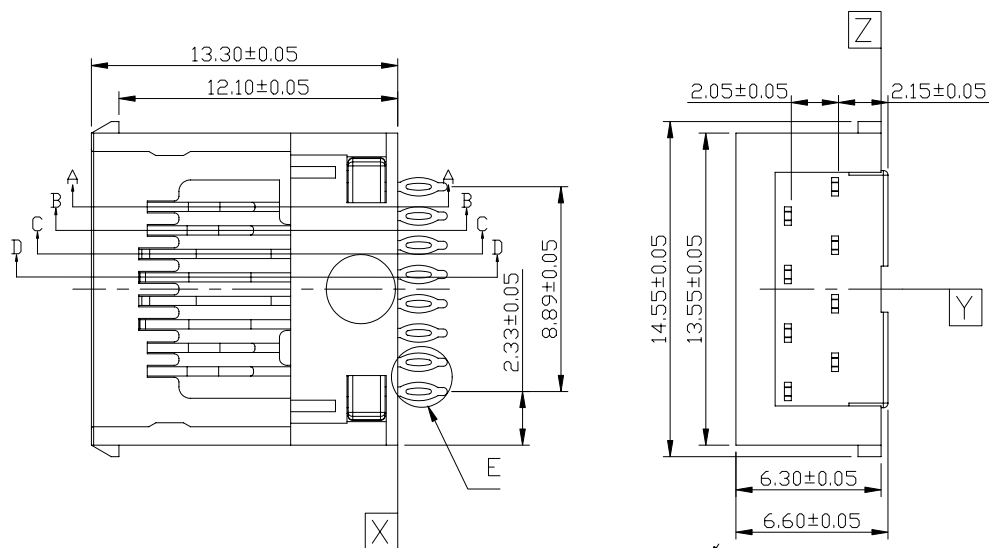
THESE DRAWINGS AND SPECIFICATIONS ARE THE SOLE PROPERTY OF ADVANCED CONNECTION TECHNOLOGY INC. AND SHALL NOT BE REPRODUCED, COPIED, OR USED IN ANY MANNER WITHOUT THE PRIOR WRITTEN CONSENT OF ADVANCED CONNECTION TECHNOLOGY INC. OR ITS AFFILIATED SUBSIDIARIES.

CAD FILE: S0088011a

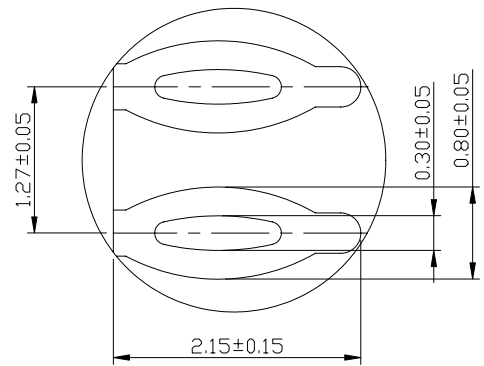
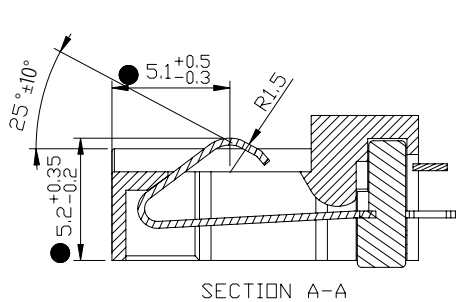
REV.	DESCRIPTION	DWG		APPROVED	
		NAME	DATE	NAME	DATE
AA	RELEASED	Froos	2007/12/20	Hunter	2007/12/20



- 1 ◆ Assembly dim.
- 2 ■ Functionally dim.
- 3 ● Control dim.



NOTE:
 1.MATERIAL
 1-1.SUPPORT D'INSERT: PA66,UL94V-0,black
 1-2.INSERT
 1-2-1HOUDING: PBT,UL94V-0,self-colored.
 1-2-2CONTACT: C5210R-EH,t=0.30mm
 2.PLATING
 Complete Nickel plating 1.26um mini
 Tinning areas(selective) : 0.5um mini
 Gold plating area(selective) : 0.8um mini



DETAIL E
SCALE: 5:1

Approval Signature

INTENDED USE: legrand		 Advanced Connection Technology			
GENERAL DIMENSION					
XX±1.0	X±0.5	DWG NO: 325-00880-11		CHECKED: Ahua	2007/12/20
X.X±0.3	.XX±0.10	REV. AA		APPROVED: Hunter	2007/12/20
		UNIT: mm	SCALE: NONE	SHEET 1 OF 1	NAME Hunter
				DATE	