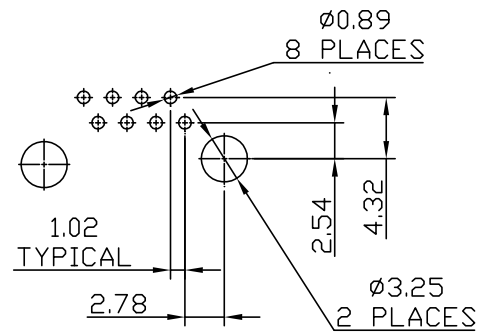
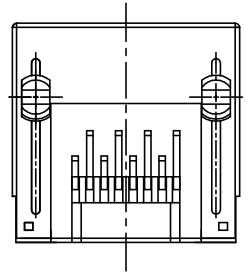
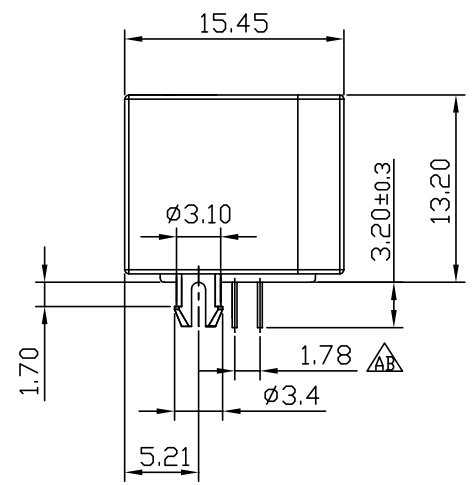
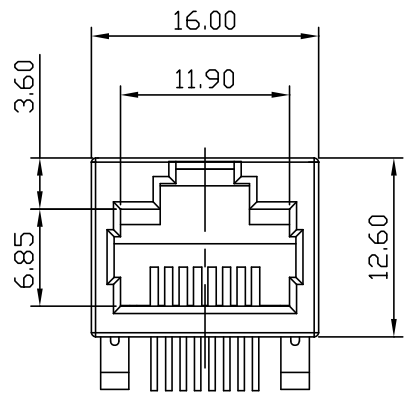


THESE DRAWINGS AND SPECIFICATIONS ARE THE SOLE PROPERTY OF ADVANCED CONNECTION TECHNOLOGY INC. AND SHALL NOT BE REPRODUCED, COPIED, OR USED IN ANY MANNER WITHOUT THE PRIOR WRITTEN CONSENT OF ADVANCED CONNECTION TECHNOLOGY INC. OR ITS AFFILIATED SUBSIDIARIES.

CAD FILE: S0088100A

REV.	DESCRIPTION	DWG		APPROVED	
		NAME	DATE	NAME	DATE
AA	RELEASED	Bruce	Jul/27/05	Venky	07/27/2005
AB	ECNXDC0604036	Mark	04/13/2006	Venky	04/13/2006

- 1 ◆ 裝配
 2 ■ 功能
 3 ● 控制



SUGGESTED P.C.B LAYOUT

NOTES:

- 1) MATERIAL:
 1. HOUSING : GLASS-FILLED POLYESTER MEET UL94V-0 OR BETTER
 COLOR : BLACK
 2. CONTACTS : PHOSPHER BRONZE(C5210EH)
 FINISHED : SELECTIVE GOLD PLATING ON CONTACT AREA OVER 50 μ"
 NICKEL UNDERPLATED
 *= CONTACT AREA GOLD PLATING THICKNESS CODE
 1 : 15 μ" 3 : 30 μ"
 5 : 50 μ" 6 : 6 μ"

2) ALL DIMENSIONS SHOWN ABOUT CENTER TO BE LOCATED ± 0.1

INTENDED USE: ACT		ACT Advanced Connection Technology Inc. TAIWAN, R.O.C. TEL: 886-2-88091060			
GENERAL DIMENSION		TITLE: PHONE JACK		DRAWN: Mark 04/13/2006	
XX±0.25	.X±0.15	DWG NO: 325-00881-00		CHECKED: Howard 04/13/2006	
X±0.20	.XX±0.10	REV. AB		APPROVED: Venky 04/13/2006	
UNIT: mm		SCALE: NONE	SHEET 1 OF 1	NAME	DATE