

THESE DRAWINGS AND SPECIFICATIONS ARE THE SOLE PROPERTY OF ADVANCED CONNECTION TECHNOLOGY INC. AND SHALL NOT BE REPRODUCED, COPIED, OR USED IN ANY MANNER WITHOUT THE PRIOR WRITTEN CONSENT OF ADVANCED CONNECTION TECHNOLOGY INC. OR ITS AFFILIATED SUBSIDIARIES.

CAD FILE:XS09001-01a

REV.	DESCRIPTION	DWG		APPROVED	
		NAME	DATE	NAME	DATE
X01	PROTOTYPE	penny	06/04/2009	knight	06/04/2009



1 ■ Functionally dim.

◆ Assembly dim.

● Control dim.

1

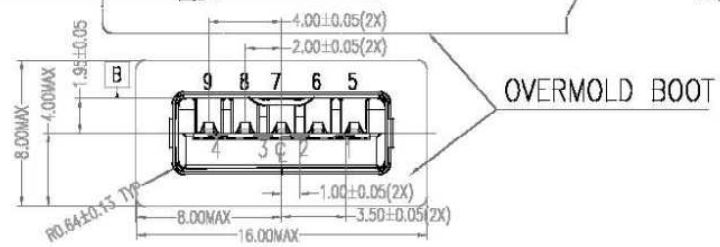
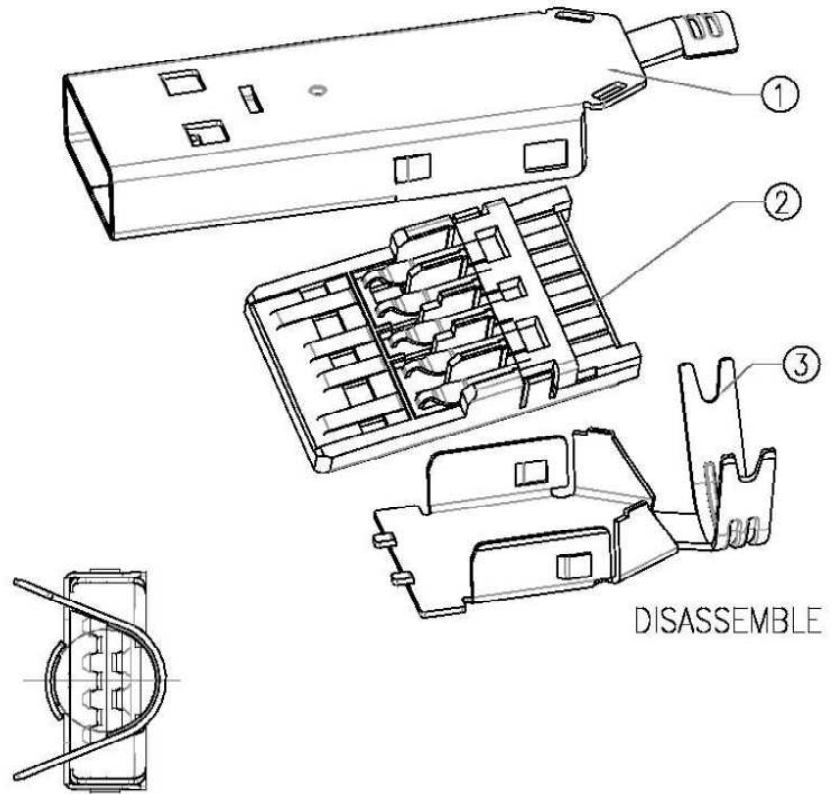
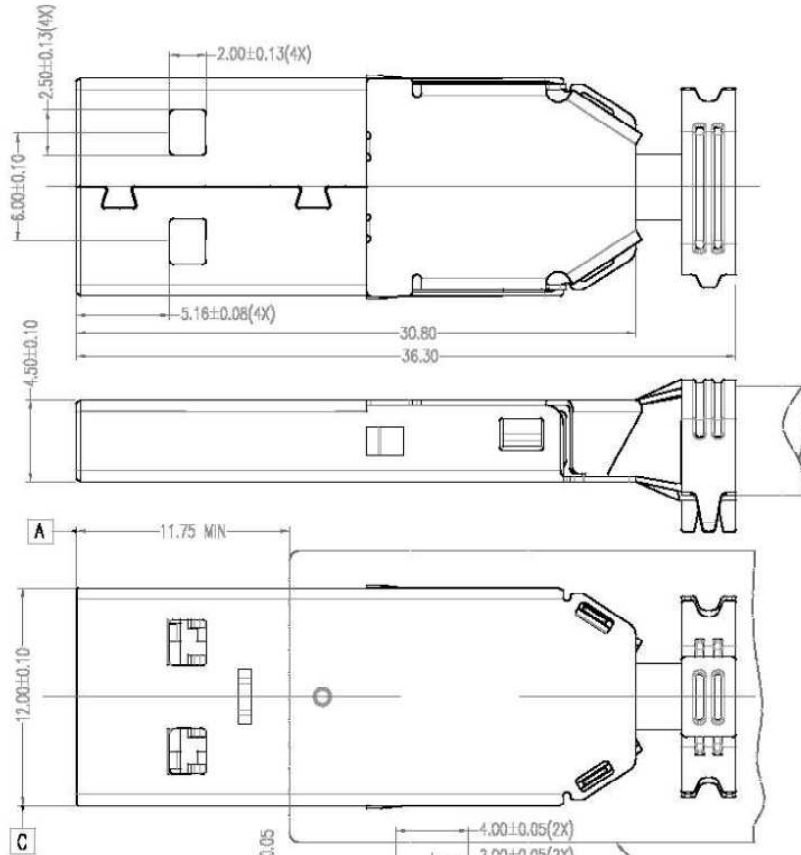
2

3

4

Note:

1. Material :



Approval Signature

ITEM	DESC.	MATERIAL	REMARKS	PART REMARKS
3	COVER SHELL	SK1SBA09A0 - #4.0 SK1SBB09A0 - #6.0		1
2	HOUSING+TERMINAL	BK1A2009X0		1
1	SHELL BODY	SK1SA09A0 - #4.0 SK1SAB09A0 - #6.0		1

INTENDED USE: ACT		Advanced Connection Technology TAIWAN TEL: 886-2-88091060			
GENERAL DIMENSION		TITLE: USB 3.0 9P A type Male		DRAWN: penny 06/04/2009	
DIM:±0.30	ANGLE±3°	DWG NO: 301-09001-01		CHECKED: coco 06/04/2009	
		REV. X01		APPROVED: knight 06/04/2009	
UNIT: mm	SCALE: NONE	SHEET 1 OF 1	NAME DATE		