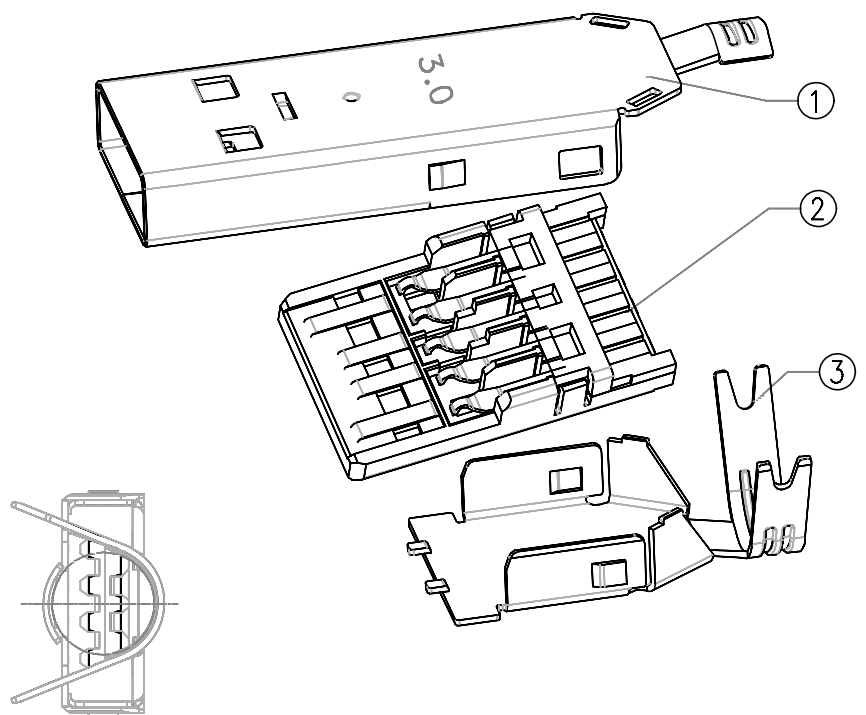
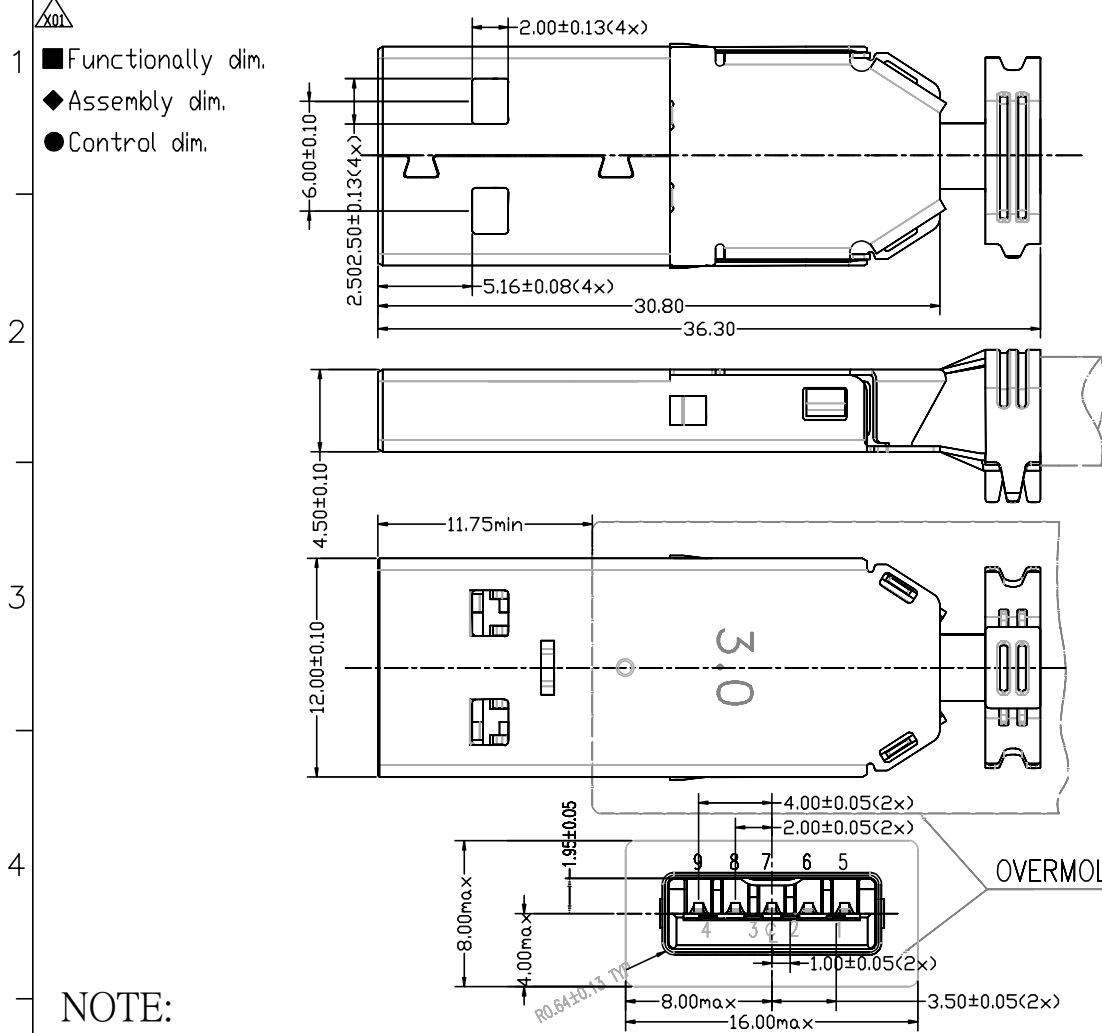


THESE DRAWINGS AND SPECIFICATIONS ARE THE SOLE PROPERTY OF ADVANCED CONNECTION TECHNOLOGY INC. AND SHALL NOT BE REPRODUCED, COPIED, OR USED IN ANY MANNER WITHOUT THE PRIOR WRITTEN CONSENT OF ADVANCED CONNECTION TECHNOLOGY INC. OR ITS AFFILIATED SUBSIDIARIES.

CAD FILE:XS09001-00A

REV.	DESCRIPTION	DWG		APPROVED	
		NAME	DATE	NAME	DATE
X01	PROTOTYPE	penny	06/23/2009	knight	06/23/2009



NOTE:

③	cover shell	PC	1
②	housing+terminal	PC	1
①	shell body	PC	1
ITEM	P/N REQ'D	DESCRIPTION	UNIT Q'TY

Approval Signature

INTENDED USE: ACT	Advanced Connection Technology TAIWAN TEL: 886-2-88091060
GENERAL DIMENSION	TITLE: USB 3.0 9PINS A TYPE MALE
ANGLE±3°	DWG NO: 301-09001-00 X01 REV.:
X.X±0.3	UNIT: mm SCALE: NONE SHEET 1 OF 1
	DRAWN: penny 06/23/2009 CHECKED: coco 06/23/2009 APPROVED: knight 06/23/2009 NAME DATE