

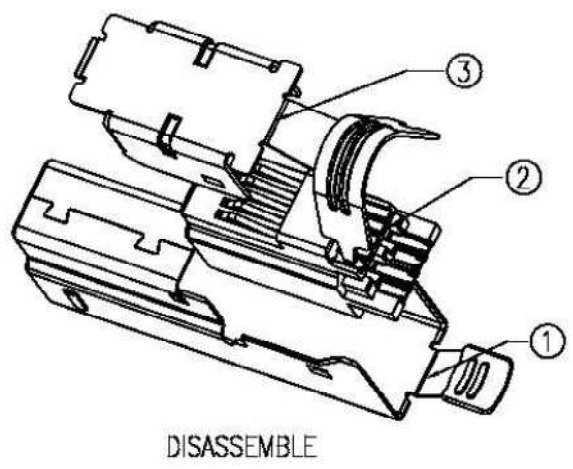
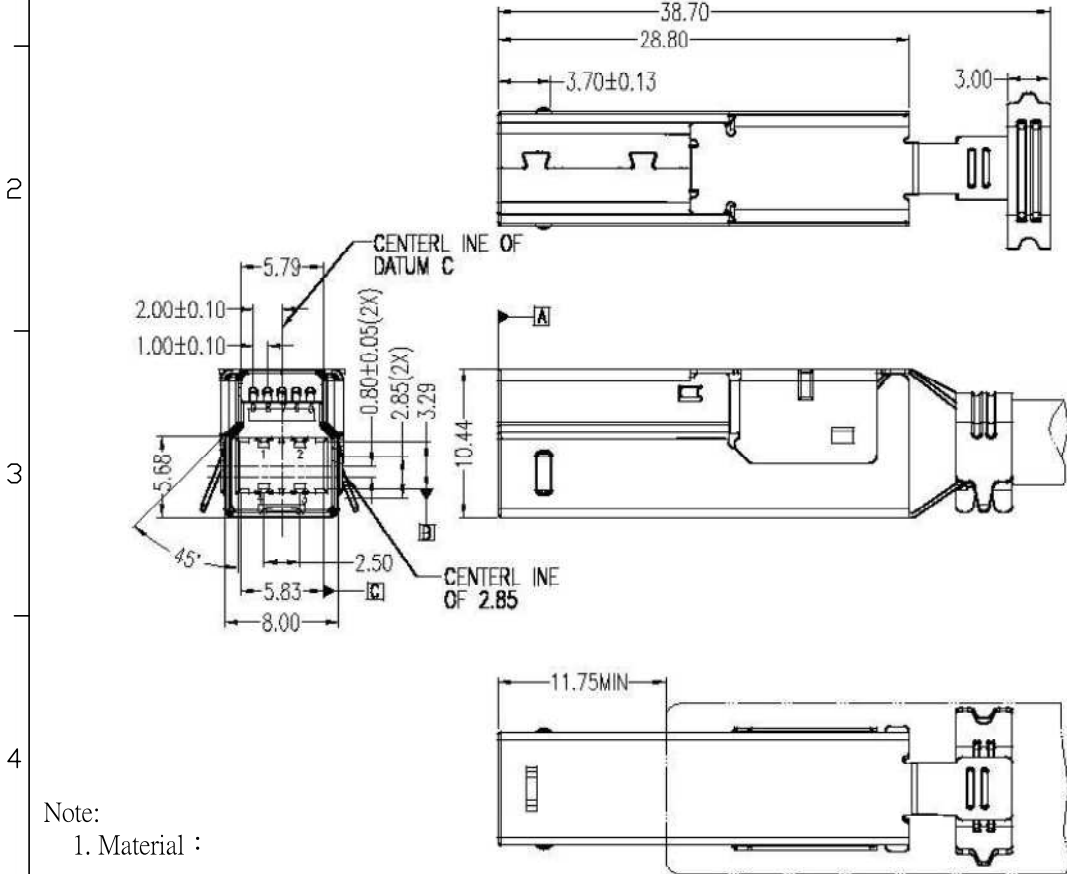
THESE DRAWINGS AND SPECIFICATIONS ARE THE SOLE PROPERTY OF ADVANCED CONNECTION TECHNOLOGY INC. AND SHALL NOT BE REPRODUCED, COPIED, OR USED IN ANY MANNER WITHOUT THE PRIOR WRITTEN CONSENT OF ADVANCED CONNECTION TECHNOLOGY INC. OR ITS AFFILIATED SUBSIDIARIES.

CAD FILE: XS09002-01a

REV.	DESCRIPTION	DWG		APPROVED	
		NAME	DATE	NAME	DATE
X01	PROTOTYPE	penny	06/04/2009	knight	06/04/2009

△X01

- 1 ■ Functionally dim.
- ◆ Assembly dim.
- Control dim.




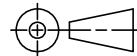
DISASSEMBLE

Note:
1. Material :

ITEM	DESC.	MATERIAL	REMARKS	PART REMARKS
3	SHELL BODY	SK3SA109A0	1	
2	HOUSING+TERMINAL	BK3AA209*0	1	
1	COVER SHELL	SK3SA009A0	1	

OVERMOLD BOOT

Approval Signature

INTENDED USE: ACT		 Advanced Connection Technology TAIWAN TEL: 886-2-88091060	
GENERAL DIMENSION		TITLE: usb 3.0 B type 9p plug	DRAWN: penny 06/04/2009
DIM.±0.30	ANGLE±3°	DWG NO: 301-09002-01	CHECKED: coco 06/04/2009
		REV. X01	APPROVED: knight 06/04/2009
UNIT: mm	SCALE: NONE	SHEET 1 OF 1	NAME DATE