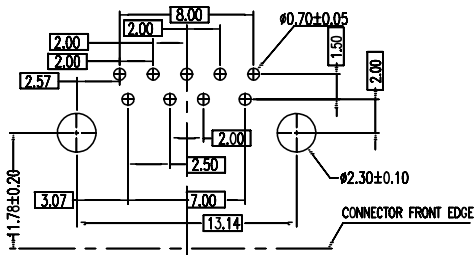


THESE DRAWINGS AND SPECIFICATIONS ARE THE SOLE PROPERTY OF ADVANCED CONNECTION TECHNOLOGY INC. AND SHALL NOT BE REPRODUCED, COPIED, OR USED IN ANY MANNER WITHOUT THE PRIOR WRITTEN CONSENT OF ADVANCED CONNECTION TECHNOLOGY INC. OR ITS AFFILIATED SUBSIDIARIES.

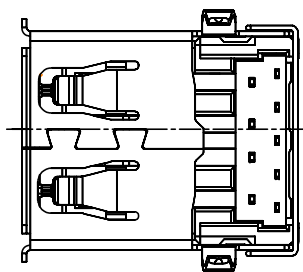
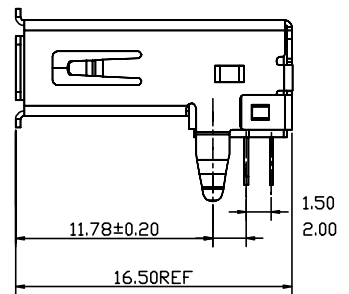
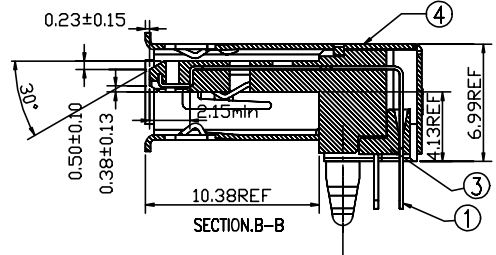
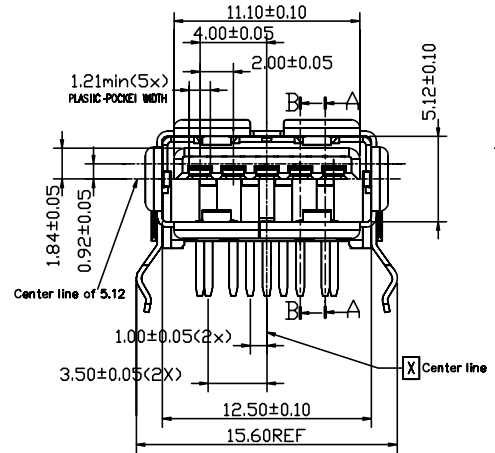
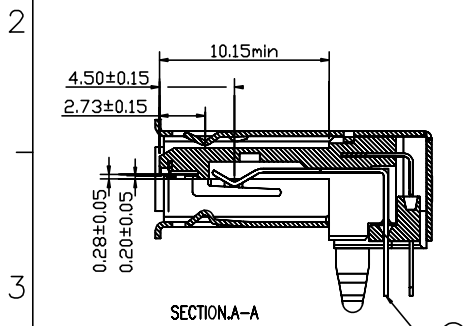
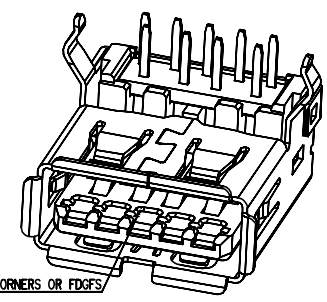
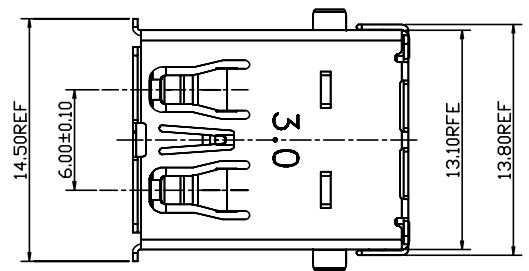
CAD FILE:XS09121-00A

REV.	DESCRIPTION	DWG		APPROVED	
		NAME	DATE	NAME	DATE
X01	PROTOTYPE	penny	06/23/2009	knight	06/23/2009

- ▲ X01
- Functionally dim.
- ◆ Assembly dim.
- Control dim.



PCB BOARD LAYOUT



Note:
1. Material :

④	SHELL	STEEL T=0.3	PC	1	OVER-PLATING: Ni 20U (0.508um) Min UNDER-PLATING: Cu 50U (1.27um) Min
③	HOUSING	LCP UL 94V-0	PC	1	COLOR: BLUE
②	TERMINAL	COPPER ALLOY T=0.25	PC	4	CONTACT AREA: GOLD FLASH SOLDER AREA: Sn120u (3.048um) Min UNDER-PLATING: Ni50u (1.27um) Min
①	TERMINAL	COPPER ALLOY T=0.2	PC	5	
ITEM	P/N REQ'D	DESCRIPTION	UNIT	Q'TY	REMARK

Approval Signature

INTENDED USE: ACT	Advanced Connection Technology TAIWAN TEL: 886-2-88091060	
GENERAL DIMENSION	TITLE: USB 3.0 9PINS A TYPE FEMALE	
ANGLE±3°	DWG NO: 301-09121-00 X01 SCALE: NONE	
X.X±0.3	REV. 1 OF 1 NAME penny DATE 06/23/2009 CHECKED: coco DATE 06/23/2009 APPROVED: knight DATE 06/23/2009	
	UNIT: mm	DATE