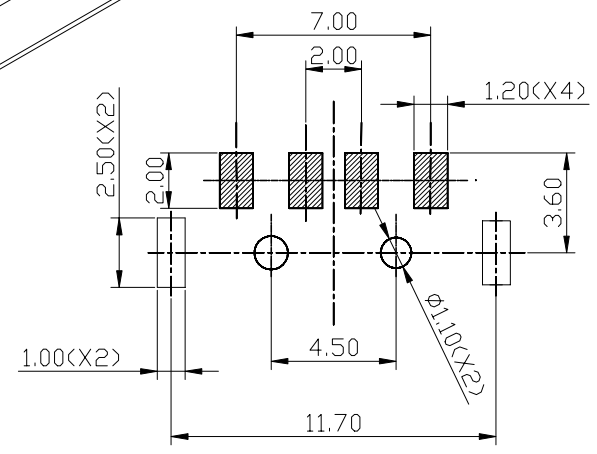
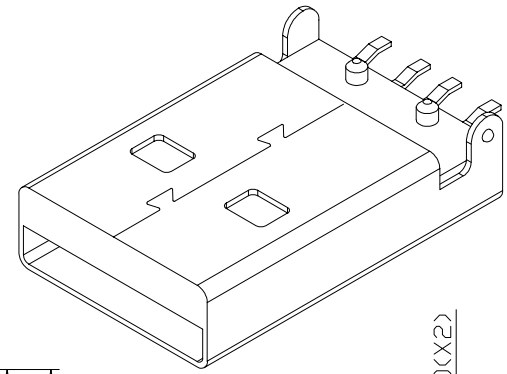
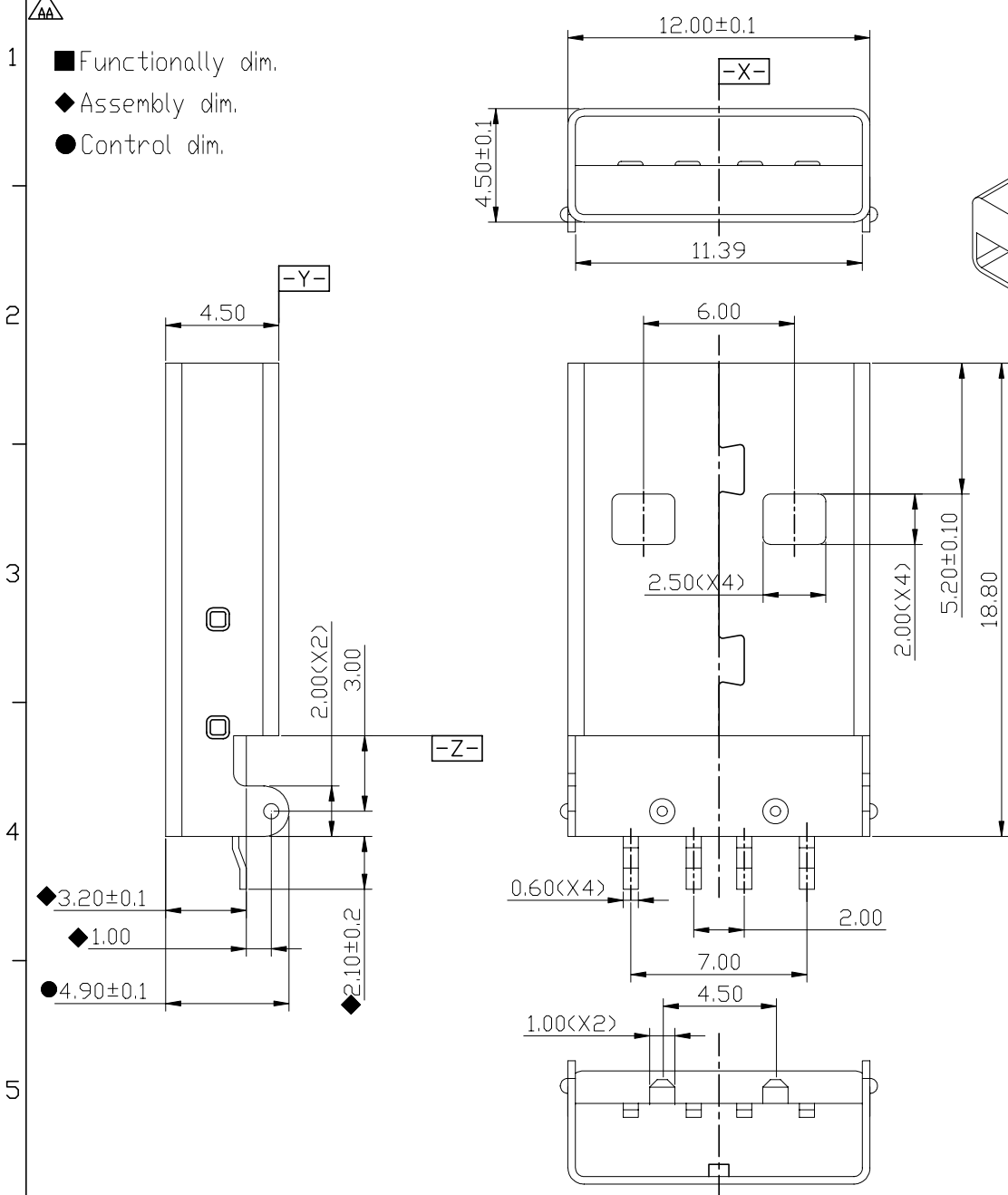


THESE DRAWINGS AND SPECIFICATIONS ARE THE SOLE PROPERTY OF ADVANCED CONNECTION TECHNOLOGY INC. AND SHALL NOT BE REPRODUCED, COPIED, OR USED IN ANY MANNER WITHOUT THE PRIOR WRITTEN CONSENT OF ADVANCED CONNECTION TECHNOLOGY INC. OR ITS AFFILIATED SUBSIDIARIES.

CAD FILE: S0401106a


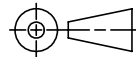
REV.	DESCRIPTION	DWG		APPROVED	
		NAME	DATE	NAME	DATE
AA	RELEASED	Landy	Nov/19/2008	Hunter	Nov/19/2008

- 1 ■ Functionally dim.
- 2 ◆ Assembly dim.
- 3 ● Control dim.



PCB LAYOUT
.xx±0.05

Note:
 1. Material:
 Contact : C2680, T=0.20mm
 Insulator : PBT; Black
 Shell : Spcc; T=0.3mm
 2. Specification: "CT-301-04011-04SP" referece

INTENDED USE: ACT		 Advanced Connection Technology TAIWAN TEL: 886-2-88091060			
GENERAL DIMENSION		TITLE: USB Plug A TYPE		DRAWN: Landy Nov/19/2008	
XX±0.30	.X±0.20	DWG NO: 301-04011-06		CHECKED: Ahua Nov/19/2008	
X±0.25	.XX±0.15	REV. AA		APPROVED: Hunter Nov/19/2008	
		UNIT: mm	SCALE: NONE	SHEET 1 OF 2	NAME

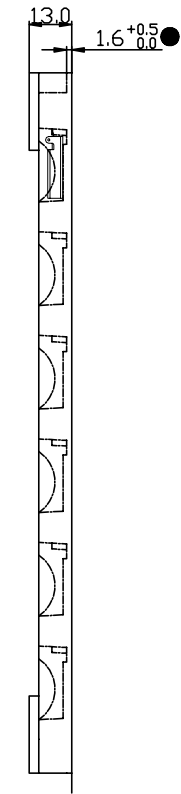
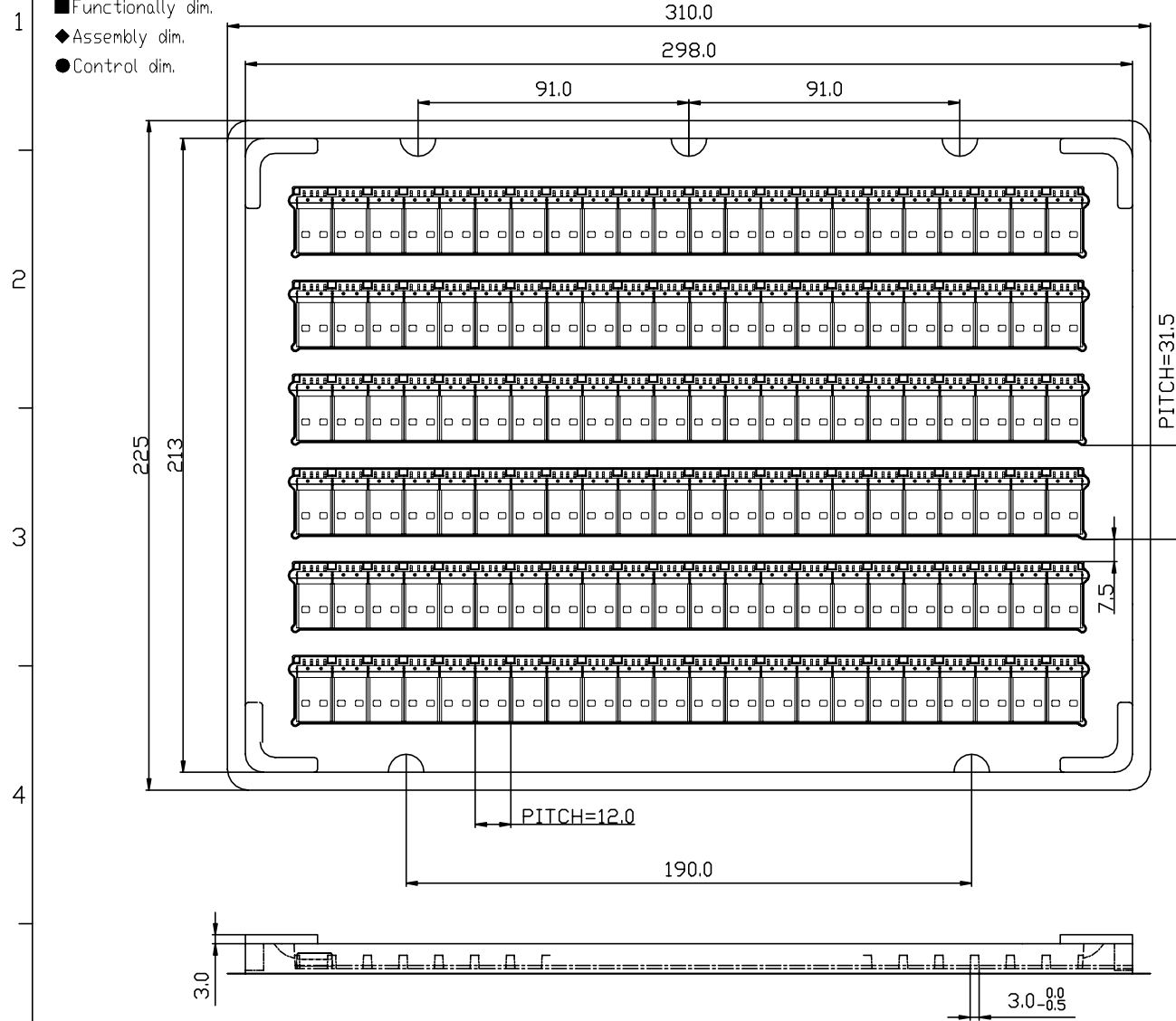
THESE DRAWINGS AND SPECIFICATIONS ARE THE SOLE PROPERTY OF ADVANCED CONNECTION TECHNOLOGY INC. AND SHALL NOT BE REPRODUCED, COPIED, OR USED IN ANY MANNER WITHOUT THE PRIOR WRITTEN CONSENT OF ADVANCED CONNECTION TECHNOLOGY INC. OR ITS AFFILIATED SUBSIDIARIES.

CAD FILE: S0401106b

REV.	DESCRIPTION	DWG		APPROVED	
		NAME	DATE	NAME	DATE
AA	RELEASED	Landy	Nov/19/2008	Hunter	Nov/19/2008



- Functionally dim.
- ◆ Assembly dim.
- Control dim.



NOTE:
1. Packing Quantity: 20*5=100PCS

INTENDED USE: ACT		Advanced Connection Technology TAIWAN TEL: 886-2-88091060				
GENERAL DIMENSION	TITLE:	USB Plug A TYPE		DRAWN:	Landy	Nov/19/2008
XX±0.15	X±0.07			CHECKED:	Ahua	Nov/19/2008
X±0.10	.XX±0.03			REV.	AA	APPROVED: Hunter
	DWG NO:		301-04011-06	APPROVED: Hunter		
	UNIT:	SCALE:	SHEET	NAME		
	mm	NONE	2 OF 2	DATE		