

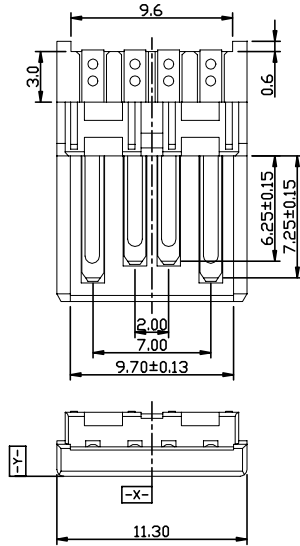
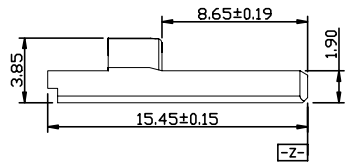
THESE DRAWINGS AND SPECIFICATIONS ARE THE SOLE PROPERTY OF ADVANCED CONNECTION TECHNOLOGY INC. AND SHALL NOT BE REPRODUCED, COPIED, OR USED IN ANY MANNER WITHOUT THE PRIOR WRITTEN CONSENT OF ADVANCED CONNECTION TECHNOLOGY INC. OR ITS AFFILIATED SUBSIDIARIES.

CAD FILE: S04011-09a

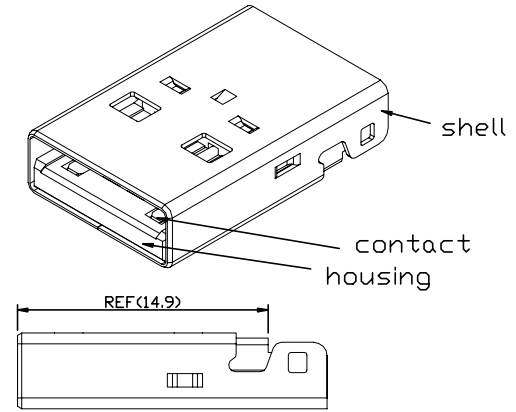
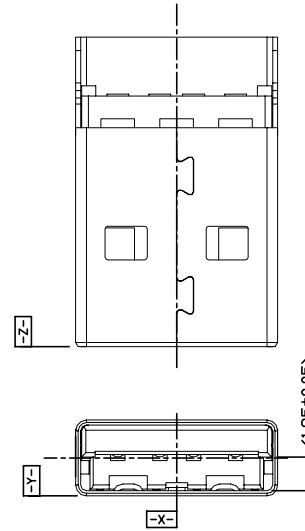
REV.	DESCRIPTION	DWG		APPROVED	
		NAME	DATE	NAME	DATE
AA	RELEASED	Peak	05/18/2009	Knight	05/18/2009



- 1 ■ Functionally dim.
- ◆ Assembly dim.
- Control dim.



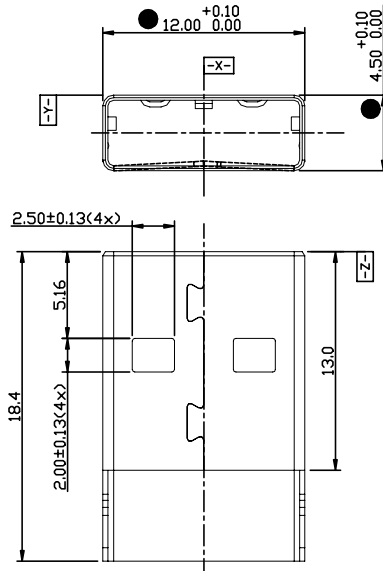
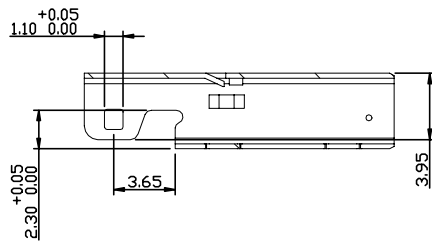
Housing Assembly Drawing



USB Assembly Drawing

Note:

1. Material:
 - Contact : Brass, T=0.25mm
 - Insulator : PBT+30% G.F Black
 - Shell : Spcc, T=0.3mm
2. Electrical:
 - Current-max[amps] : 1.5A
 - Voltage-max[volts] : 30V
 - Withstanding Voltage : 500V AC for 1 min
 - Contact Resistance [ohms] : 30 millionhms max
 - Insulation Rresistance[ohms] : 1000Megohms min
3. Plating:
 - Contact: Gold flash over nickel on contact area
 - Sn over nickel on solder area
 - Shell: Ni over cu all area
4. Environmental:
 - Temperature Range : -40°C to +60°C
5. Packing: Housing assembly: 140Pcs/Tray;
Shell: 140Pcs/Tray



Shell Drawing

Approval Signature

INTENDED USE: ACT		Advanced Connection Technology TAIWAN TEL: 886-2-88091060			
GENERAL DIMENSION		TITLE: USB A Type 4Pins Male Solder		DRAWN: Peak	05/18/2009
XX±0.30	.X±0.15	DWG NO: 301-04011-09		CHECKED: Coco	05/18/2009
X±0.20	.XX±0.10	REV. AA		APPROVED: Knight	05/18/2009
UNIT: mm		SCALE: NONE	SHEET 1 OF 1	NAME	DATE