

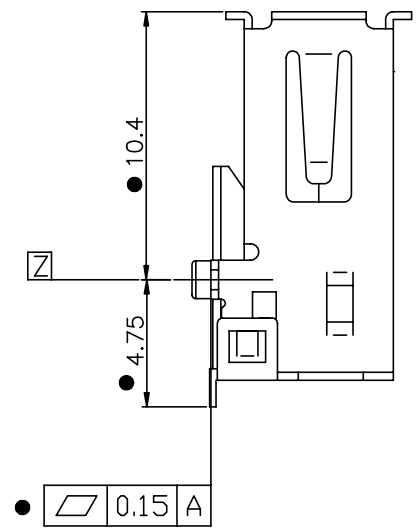
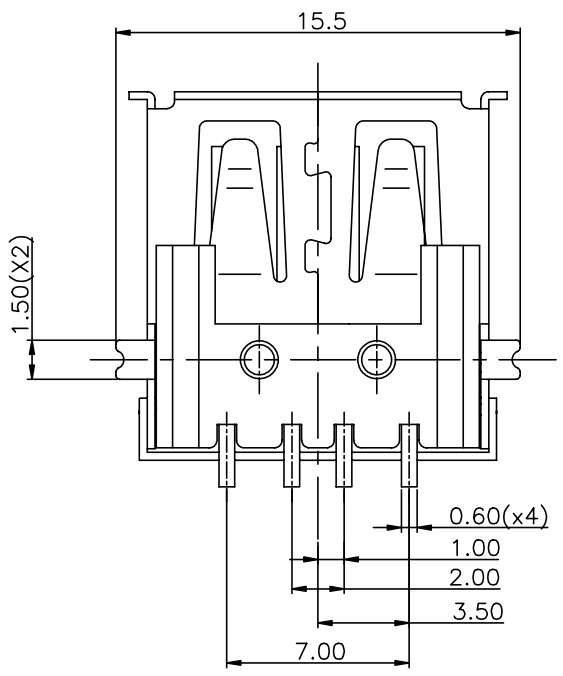
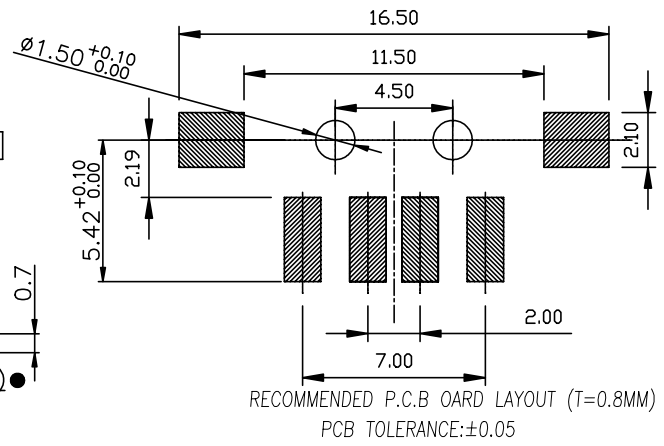
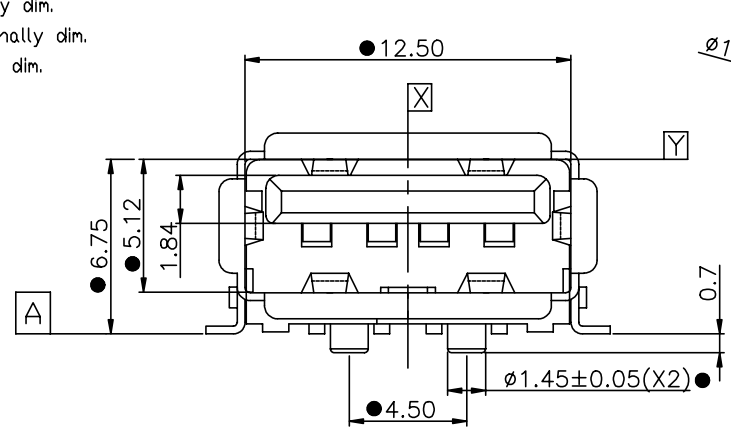
THESE DRAWINGS AND SPECIFICATIONS ARE THE SOLE PROPERTY OF ADVANCED CONNECTION TECHNOLOGY INC. AND SHALL NOT BE REPRODUCED, COPIED, OR USED IN ANY MANNER WITHOUT THE PRIOR WRITTEN CONSENT OF ADVANCED CONNECTION TECHNOLOGY INC. OR ITS AFFILIATED SUBSIDIARIES.

CAD FILE: S0410102A

REV.	DESCRIPTION	DWG		APPROVED	
		NAME	DATE	NAME	DATE
AA	RELEASED	Adm	2008/01/02	Hunter	2008/01/02

AA

- ◆ Assembly dim.
- Functionally dim.
- Control dim.



**1. Material:**

Contacts : Phosphore Bronze  
 Insulator: LCP E130, UL 94V-0  
 Shell : BRASS

**2. Mechanical:**

Mating: 35N max.  
 Withdrawal Force: 10N min.  
 Durability: 1500 cycles min.

**3. Electrical:**

Current-max[amps] 1.5A  
 Voltage-max[volts] 30V  
 Withstanding Voltage 750V AC  
 Contact Resistance [ohms] 30 milliohms max  
 Insulation Resistance [ohms] 1000 Megohms min

**4. Plating:**

Contacts: Gold And Tin Over Nickel Plated  
 Shell: Nickel over all plating

**5. Environmental**

Temperature Range -55°C~+85°C

Approval Signature

INTENDED USE: ACT		Advanced Connection Technology			
GENERAL DIMENSION		TITLE: USB 4pins Female, SMT A Type		DRAWN: Adm 02/01/2008	
XX±0.50	.X±0.20	DWG NO: 301-04101-02		CHECKED: Roy 02/01/2008	
X±0.30	.XX±0.15	REV. AA		APPROVED: Hunter 02/01/2008	
		UNIT: mm	SCALE: NONE	SHEET 1 OF 1	NAME DATE