

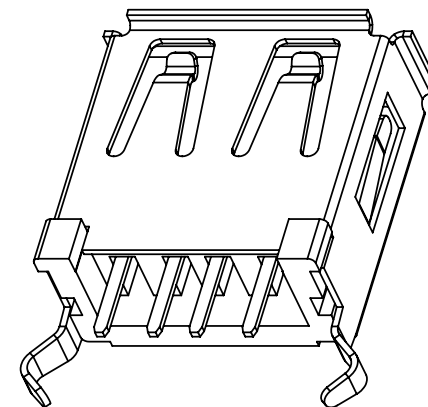
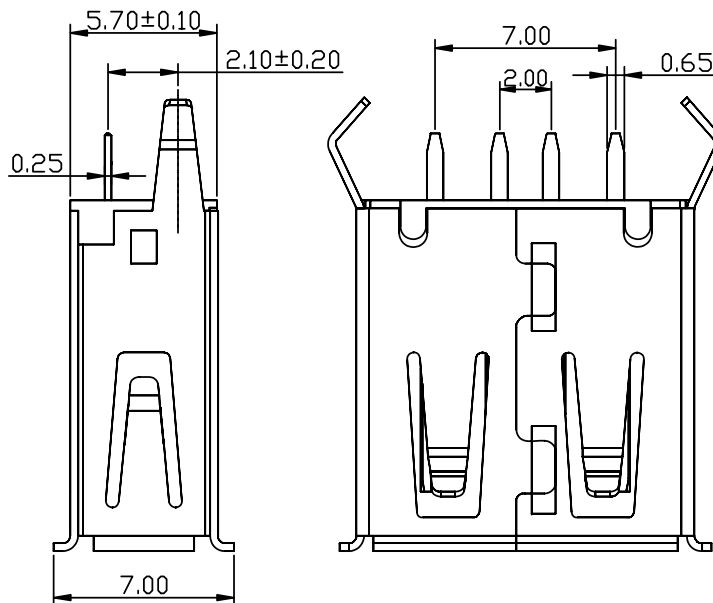
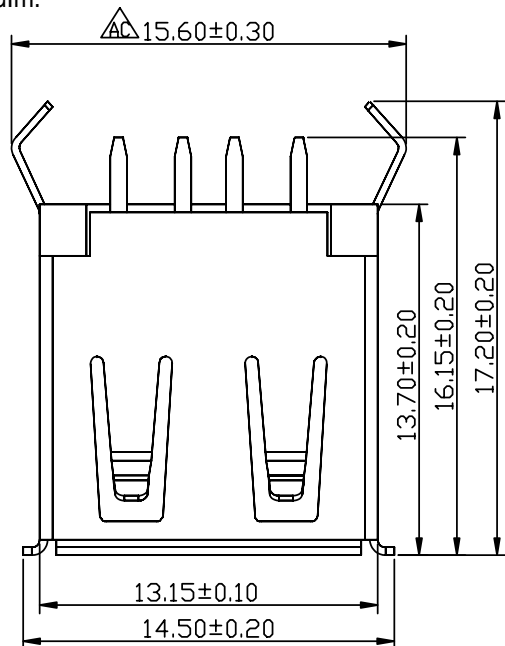
THESE DRAWINGS AND SPECIFICATIONS ARE THE SOLE PROPERTY OF ADVANCED CONNECTION TECHNOLOGY INC. AND SHALL NOT BE REPRODUCED, COPIED, OR USED IN ANY MANNER WITHOUT THE PRIOR WRITTEN CONSENT OF ADVANCED CONNECTION TECHNOLOGY INC. OR ITS AFFILIATED SUBSIDIARIES.

CAD FILE: S0411104a

REV.	DESCRIPTION	DWG		APPROVED	
		NAME	DATE	NAME	DATE
AA	RELEASED	Nancy	2006/06/27	Hunter	2006/06/27
AB	ECN NO:DC0610004	Tery	2006/10/11	Hunter	2006/10/11
AC	ECN NO:DC0712039	Froos	2007/12/20	Hunter	2007/12/20

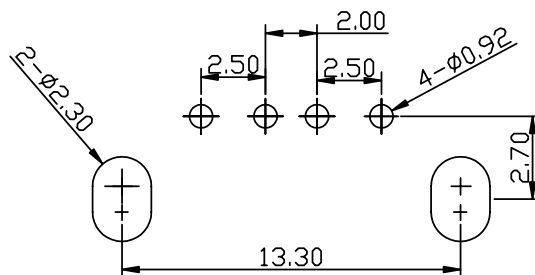
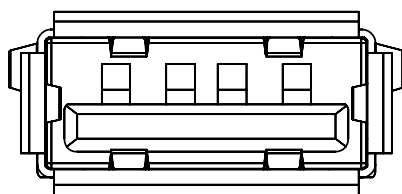


- ◆ Assembly dim.
- Functionally dim.
- Control dim.



NOTES:

- 1 Materials:
 - 1-1 Housing: PBT +30%G.F. UL 94V-0
 - 1-2 Contact: Phosphone Bronze
 - 1-3 Shell: Brass
- 2 PLATING:
 - 2-1 Contact: Plated Gold 30u" in Mating Area
Tin on Solder Tails
 - 2-2 Shell: Nickel Plating
- 3 Electrical Characteristics:
 - 3-1 Contact Resistance: 30 Milliohms Max.
 - 3-2 Dielectric Withstanding Voitage: 500V AC
 - 3-3 Insulation Resistance: 1000 Mega-ohms Min.
- 4 Mechanical:
 - 4-1 Insertion Force: 3.5kg Max.
 - 4-2 Unmating force: 1.0kg Min.
 - 4-3 Durability: 1500 cycles min.



PCB Layout
Tolerance ±0.10

Approval Signature

INTENDED USE: ACT		Advanced Connection Technology			
GENERAL DIMENSION		TITLE: USB 4Pins A Type 180°		DRAWN: Froos 2007/12/20	
X±0.30	.XX±0.15	DWG NO: 301-04111-04		CHECKED: Coco 2007/12/20	
X±0.20	.XXX±0.10	REV. AC		APPROVED: Hunter 2007/12/20	
UNIT: mm		SCALE: NONE	SHEET 1 OF 1		NAME Hunter
				DATE 2007/12/20	