

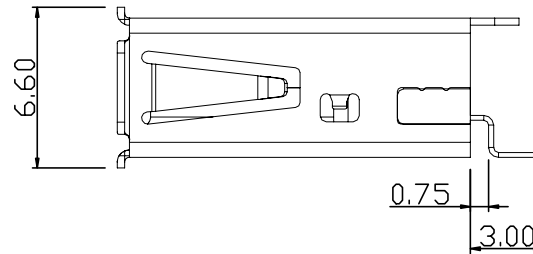
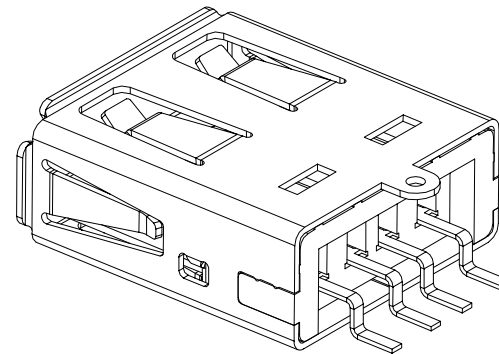
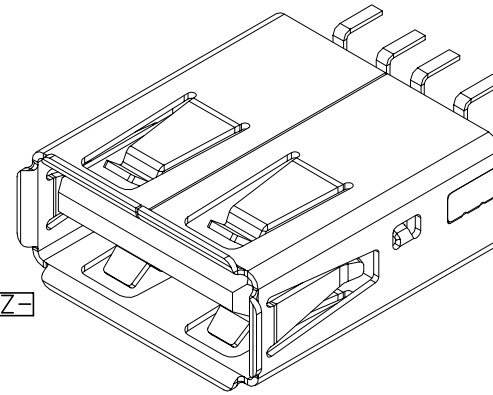
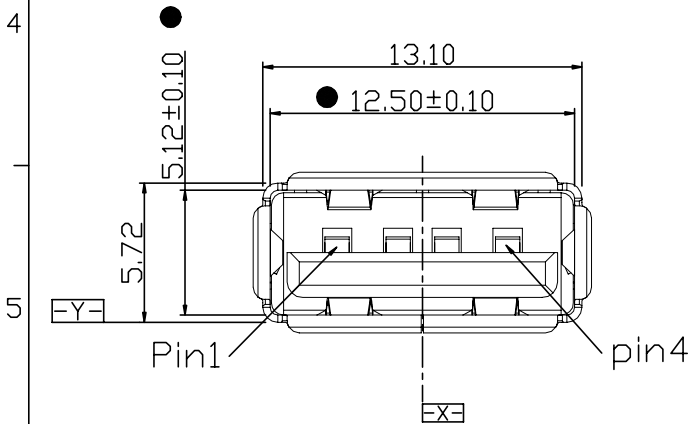
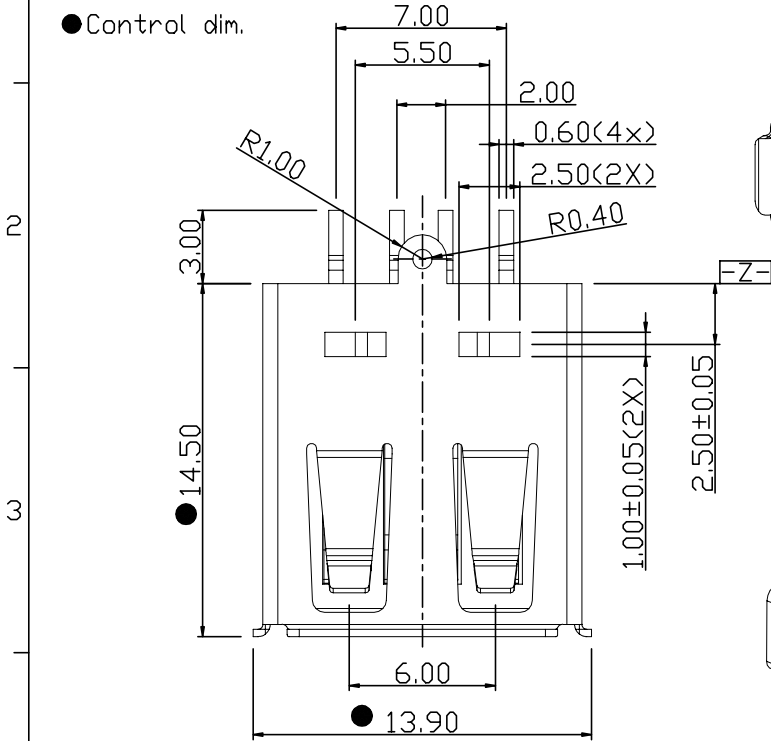
THESE DRAWINGS AND SPECIFICATIONS ARE THE SOLE PROPERTY OF ADVANCED CONNECTION TECHNOLOGY INC. AND SHALL NOT BE REPRODUCED, COPIED, OR USED IN ANY MANNER WITHOUT THE PRIOR WRITTEN CONSENT OF ADVANCED CONNECTION TECHNOLOGY INC. OR ITS AFFILIATED SUBSIDIARIES.

CAD FILE: S0411115a

REV.	DESCRIPTION	DWG		APPROVED	
		NAME	DATE	NAME	DATE
AA	RELEASED	Landy	Oct/08/2008	Hunter	Oct/08/2008



- ◆ Assembly dim.
- Functionally dim.
- Control dim.



NOTES:

- 1 Materials:
  - 1-1 Housing: PBT+30%GF; UL 94-HB; True colors
  - 1-2 Contact: Copper alloy T=0.2mm
  - 1-3 Shell: SPCC T=0.3mm
- 2 PLATING:
  - 2-1 Contact: Plated Gold over Nickel on contact area
  - 2-2 Shell: Nickel Plating  
Sn over Nickel on Solder Area
- 3 Electrical Characteristics:
  - 3-1 Contact Resistance: 30 Milliohms Max.
  - 3-2 Dielectric Withstanding Voltage: 500V AC
  - 3-3 Insulation Resistance: 1000 Mega-ohms Min.
- 4 Mechanical:
  - 4-1 Insertion Force: 35N Max.
  - 4-2 Withdrawal Force: 10N min.

Approval Signature

INTENDED USE: ACT		Advanced Connection Technology TAIWAN TEL: 886-2-88091060			
GENERAL DIMENSION		TITLE:		DRAWN: <b>Landy</b> Oct/08/2008	
<del>XX±0.15</del>	.X±0.35	USB A TYPE IO		CHECKED: <b>Ahua</b> Oct/08/2008	
X±0.40	.XX±0.25	DWG NO: <b>301-04111-15</b>		APPROVED: <b>Hunter</b> Oct/08/2008	
		REV. <b>AA</b>		NAME DATE	
UNIT: <b>mm</b>	SCALE: <b>NONE</b>	SHEET <b>1 OF 1</b>			

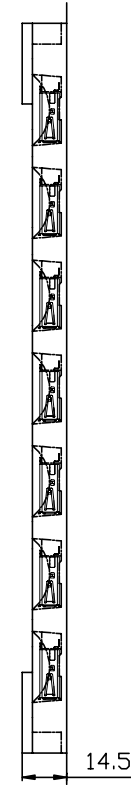
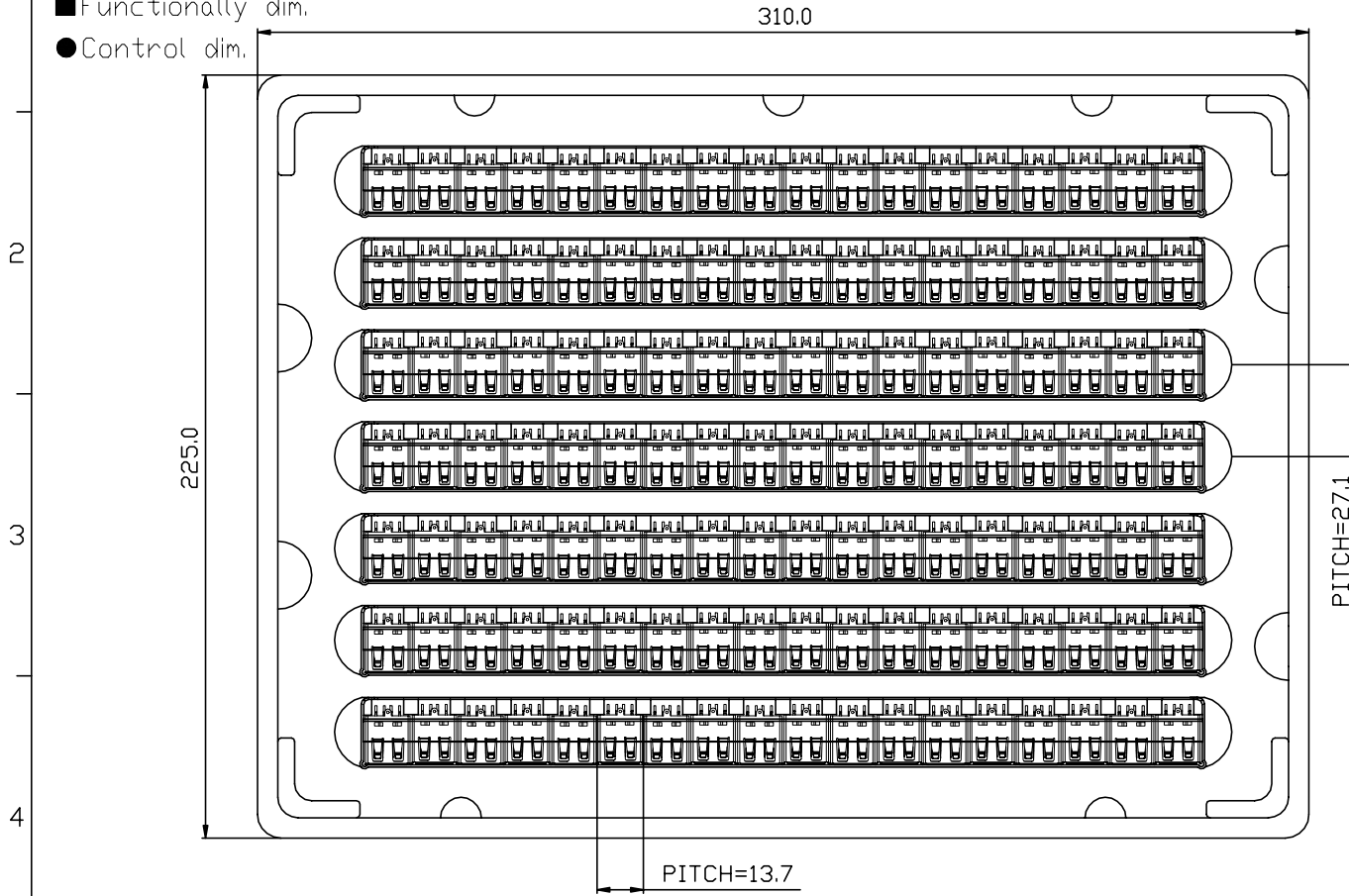
THESE DRAWINGS AND SPECIFICATIONS ARE THE SOLE PROPERTY OF ADVANCED CONNECTION TECHNOLOGY INC. AND SHALL NOT BE REPRODUCED, COPIED, OR USED IN ANY MANNER WITHOUT THE PRIOR WRITTEN CONSENT OF ADVANCED CONNECTION TECHNOLOGY INC. OR ITS AFFILIATED SUBSIDIARIES.

CAD FILE: S0411115b

REV.	DESCRIPTION	DWG		APPROVED	
		NAME	DATE	NAME	DATE
AA	RELEASED	Landy	Oct/08/2008	Hunter	Oct/08/2008



- ◆ Assembly dim.
- Functionally dim.
- Control dim.



NOTE:  
1.Pack quantity: 18\*7=126PCS

INTENDED USE: ACT		<b>Advanced Connection Technology</b> TAIWAN TEL: 886-2-88091060			
GENERAL DIMENSION		TITLE:		DRAWN:	
XX±0.15	.X±0.10	USB A TYPE IO		Landy Oct/08/2008	
X±0.20	.XX±0.15	DWG NO:		CHECKED:	
		301-04111-15		Ahua Oct/08/2008	
		REV. AA		APPROVED:	
UNIT: mm		SCALE: NONE	SHEET 1 OF 1	NAME DATE	