

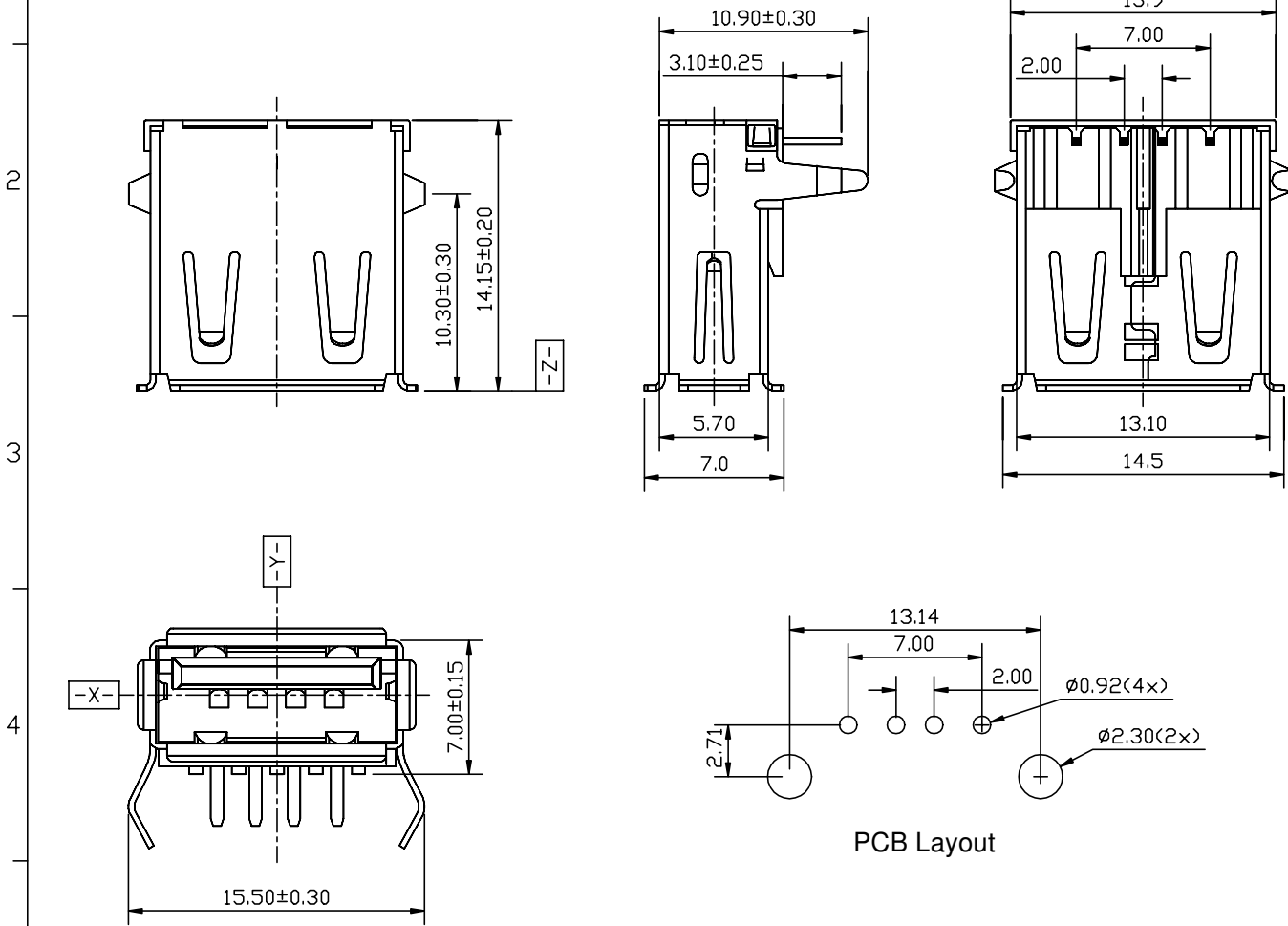
THESE DRAWINGS AND SPECIFICATIONS ARE THE SOLE PROPERTY OF ADVANCED CONNECTION TECHNOLOGY INC. AND SHALL NOT BE REPRODUCED, COPIED, OR USED IN ANY MANNER WITHOUT THE PRIOR WRITTEN CONSENT OF ADVANCED CONNECTION TECHNOLOGY INC. OR ITS AFFILIATED SUBSIDIARIES.

CAD FILE: XS04111-18.d

REV.	DESCRIPTION	DWG		APPROVED	
		NAME	DATE	NAME	DATE
X01	PROTOTYPE	Peak	04/08/2009	Knight	04/08/2009

△X01



- 1 ■ Functionally dim.
- ◆ Assembly dim.
- Control dim.



Note:

1. Material:
 - Contact : BRASS, T=0.25mm
 - Housing : PBT+30% G.F White
 - Shell : BRASS, T=0.30mm
2. Mechanical:
 - Mating : 35N max.
 - Withdrawal Force : 10N min.
 - Durability : 1500 cycles min.
3. Electrical:
 - Current-max[amps] : 1.5A
 - Voltage-max[volts] : 30V
 - Withstanding Voltage : 500V AC for 1 min
 - Contact Resistance [ohms] : 30 millionhms max
 - Insulation Resistance[ohms] : 1000Megohms min
4. Plating:
 - Contact : Gold Flash And Tin Over Nickel Plated
 - Shell : Nickel(Tin) over all plating
5. Environmental:
 - Temperature Range : -40°C to +60°C

Approval Signature

INTENDED USE: ACT		 Advanced Connection Technology TAIWAN TEL: 886-2-88091060			
GENERAL DIMENSION		TITLE: USB A Type Female 4Pins 90° Dip		DRAWN: Peak 04/08/2009	
XX±0.50	.X±0.20	DWG NO: 301-04111-18 X01		CHECKED: Coco 04/08/2009	
X±0.30	.XX±0.10	REV. X01		APPROVED: Knight 04/08/2009	
		UNIT: mm	SCALE: NONE	SHEET 1 OF 1	NAME DATE