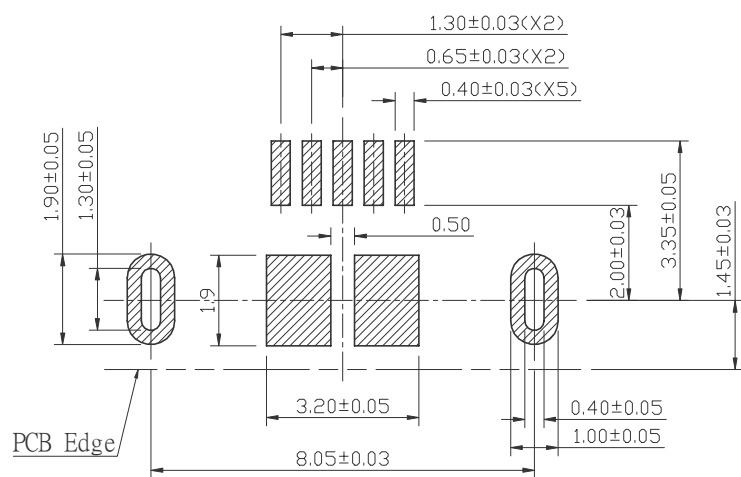
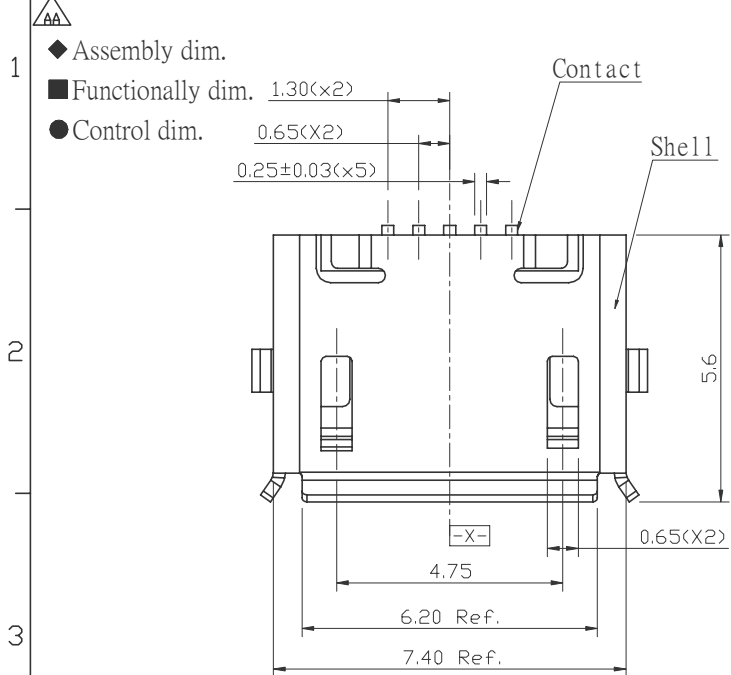


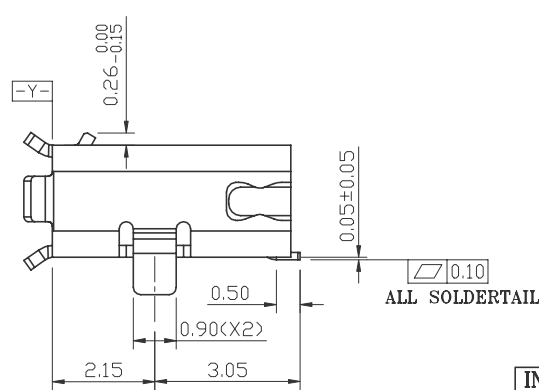
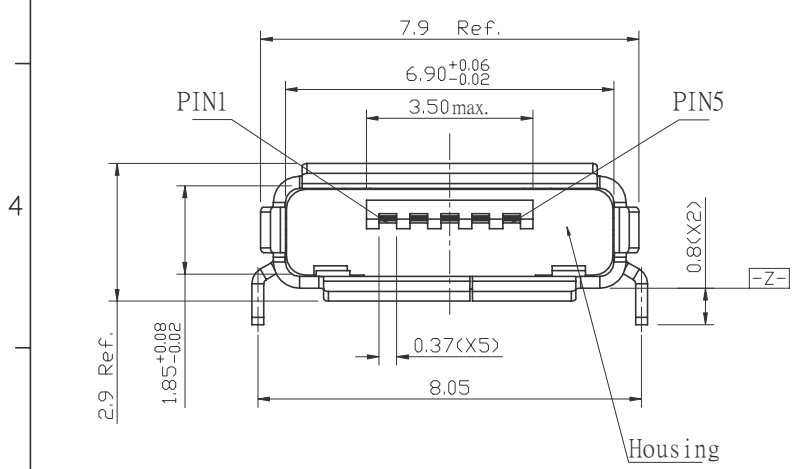
THESE DRAWINGS AND SPECIFICATIONS ARE THE SOLE PROPERTY OF ADVANCED CONNECTION TECHNOLOGY INC. AND SHALL NOT BE REPRODUCED, COPIED, OR USED IN ANY MANNER WITHOUT THE PRIOR WRITTEN CONSENT OF ADVANCED CONNECTION TECHNOLOGY INC. OR ITS AFFILIATED SUBSIDIARIES.

CAD FILE: S0510100A

REV.	DESCRIPTION	DWG		APPROVED	
		NAME	DATE	NAME	DATE
AA	RELEASED	Ahua	10/25/2008	Hunter	10/25/2008


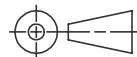


Recommended PCB Layout



- Material:
  - Housing: LCP
  - Contact: Copper Alloy
  - Ni under plating, Sn on solder area.
  - Au plating on contact area.
  - Shell: Stainless Steel
  - Ni under plating, Sn on overall.
- Coplanarity: 0.10mm Max.

Approval Signature

INTENDED USE: ACT		 <b>Advanced Connection Technology</b> TAIWAN TEL: 886-2-88091060			
GENERAL DIMENSION		TITLE: <b>Micro USB AB Type I/O</b>		DRAWN: <b>Ahua</b>	10/25/2008
XX±0.30	.X±0.20	DWG NO: <b>305-05101-00</b>		CHECKED: <b>AA</b>	10/25/2008
X±0.25	.XX±0.10	REV.:		APPROVED: <b>Hunter</b>	10/25/2008
		UNIT: <b>mm</b>	SCALE: <b>NONE</b>	SHEET <b>1 OF 2</b>	NAME <b>Hunter</b>

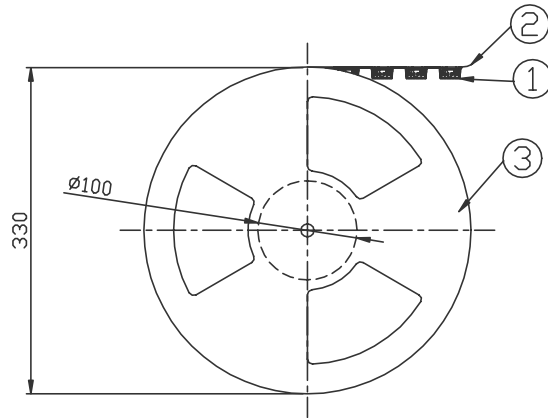
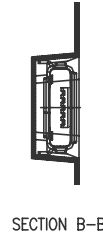
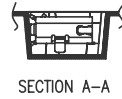
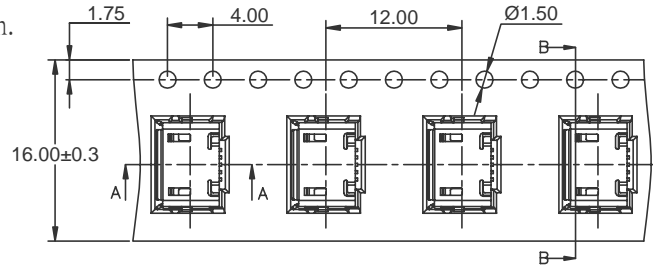
THESE DRAWINGS AND SPECIFICATIONS ARE THE SOLE PROPERTY OF ADVANCED CONNECTION TECHNOLOGY INC. AND SHALL NOT BE REPRODUCED, COPIED, OR USED IN ANY MANNER WITHOUT THE PRIOR WRITTEN CONSENT OF ADVANCED CONNECTION TECHNOLOGY INC. OR ITS AFFILIATED SUBSIDIARIES.

CAD FILE: S0510100B

REV.	DESCRIPTION	DWG		APPROVED	
		NAME	DATE	NAME	DATE
AA	RELEASED	Ahua	10/25/2008	Hunter	10/25/2008

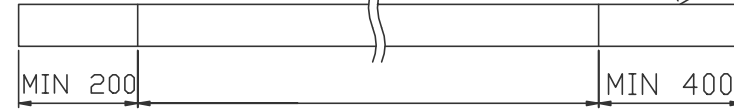
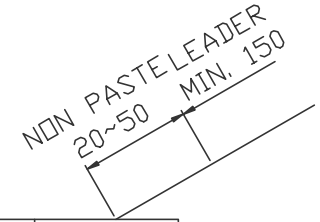
AA

- ◆ Assembly dim.
- Functionally dim.
- Control dim.



NOTES:

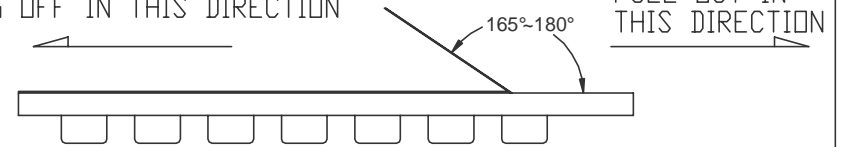
- 1. PACKING PREPARE LEADER AND EMPTY. DETAIL AS BELOW



TAIL(EMPTY) WITH CONNECTOR LEADER(EMPTY)


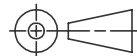
- 2. FORCE OF TEARING OFF TOP TAPE 15~80 gf

TEARING OFF IN THIS DIRECTION



- 3. EDGE OF ROLLING UP SHOULD BE ADHERED THE TOP COVER TAPE TO THE SIDE OF RELL AN ADHENSIVE TAPE
- 4. TOP COVER TAPE SHOULD BE LIMITED IN AREA OF PLASTIC TAPE
- 5. PLASTIC REEL ---DIM A Ø330 DIM B Ø100
- 6. QUANTITY----PLASTIC REEL ABOUT 1300 PCS

③	PLASTIC REEL 13"ReelX16mm	SET	0.000769
②	COVER TAPE 13.3mmX200M	M	0.012923
①	Carrier Type for 305-05101-00	M	0.012462
ITEM	DESCRIPTION	UNIT	Q'TY

INTENDED USE: ACT		 <b>Advanced Connection Technology</b> TAIWAN TEL: 886-2-88091060			
GENERAL DIMENSION		TITLE:		DRAWN:	
XX±0.15	X±0.07	Micro USB AB Type I/O		Ahua 10/25/2008	
X±0.10	.XX±0.05	DWG NO:		CHECKED:	
		305-05101-00		Knight 10/25/2008	
UNIT: mm		REV. AA		APPROVED:	
SCALE: NONE		SHEET 2 OF 2		Hunter 10/25/2008	
		NAME		DATE	