

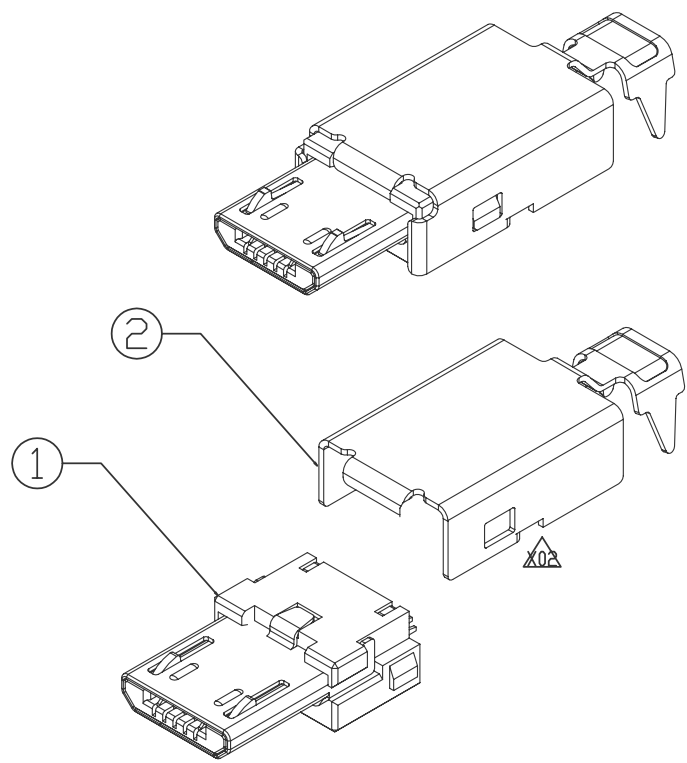
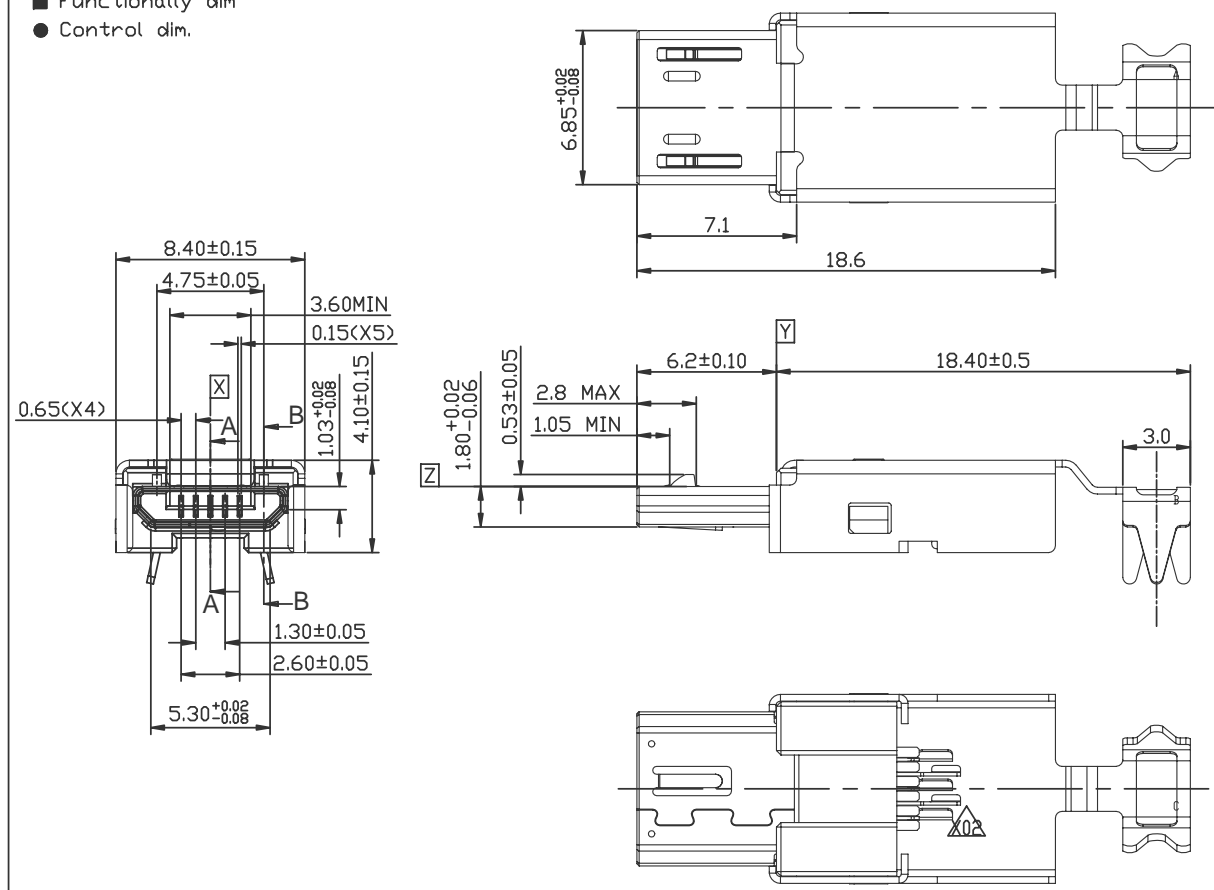
CAD FILE: XS05002-00A

REV.	DESCRIPTION	DWG		APPROVED	
		NAME	DATE	NAME	DATE
X01	PROTOTYPE	Ahua	2007/03/20	hunter	2007/03/20
X02	DESIGN CHANGE	Ahua	Feb/23/2009	Knight	Feb/23/2009

THESE DRAWINGS AND SPECIFICATIONS ARE THE SOLE PROPERTY OF ADVANCED CONNECTION TECHNOLOGY INC. AND SHALL NOT BE REPRODUCED, COPIED, OR USED IN ANY MANNER WITHOUT THE PRIOR WRITTEN CONSENT OF ADVANCED CONNECTION TECHNOLOGY INC. OR ITS AFFILIATED SUBSIDIARIES.

X02


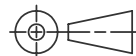
- ◆ Assembly dim.
- Functionally dim
- Control dim.



MATERIAL:
 1.Housing: Heat thermal plastic ,UL94V-0 ,black
 2.Contact: Copper Alloy
 3.Cover: SPCC

②	40-99000-034	METAL CASE	PC	1
①	216-05000-23	HOUSING ASS'Y	PC	1
ITEM	P/N REQ'D	DESCRIPTION	UNIT	Q'TY

Approval Signature

INTENDED USE: ACT	 Advanced Connection Technology TAIWAN TEL: 886-2-88091060			
GENERAL DIMENSION	TITLE: MICRO USB B TYPE PLUG (FOR DATA)		DRAWN: Ahua	Feb/23/2009
.X±0.20	DWG NO: 305-05002-00		CHECKED: Knight	Feb/23/2009
.XX±0.10	REV. X02		APPROVED: Knight	Feb/23/2009
	UNIT: mm	SCALE: NONE	SHEET 1 OF 1	NAME DATE