

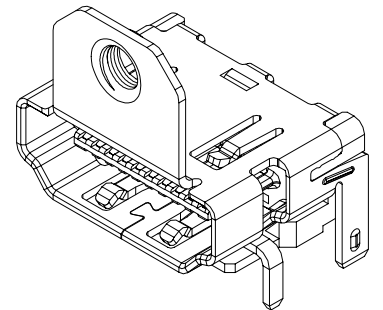
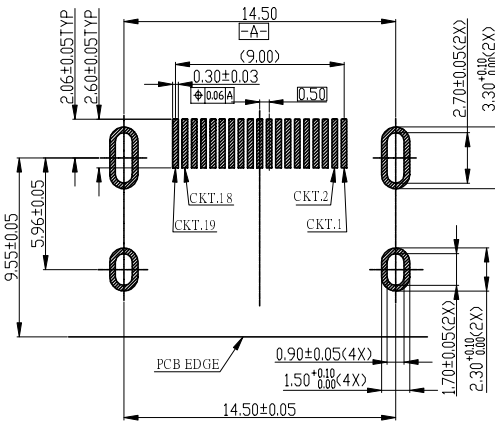
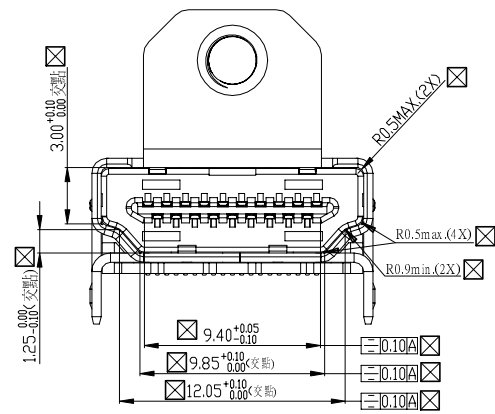
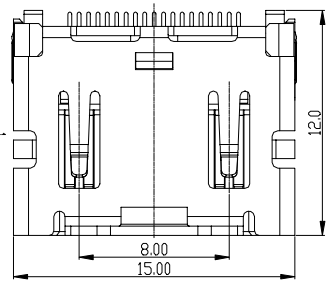
CAD FILE: X19001-16A

THESE DRAWINGS AND SPECIFICATIONS ARE THE SOLE PROPERTY OF ADVANCED CONNECTION TECHNOLOGY INC. AND SHALL NOT BE REPRODUCED, COPIED, OR USED IN ANY MANNER WITHOUT THE PRIOR WRITTEN CONSENT OF ADVANCED CONNECTION TECHNOLOGY INC. OR ITS AFFILIATED SUBSIDIARIES.

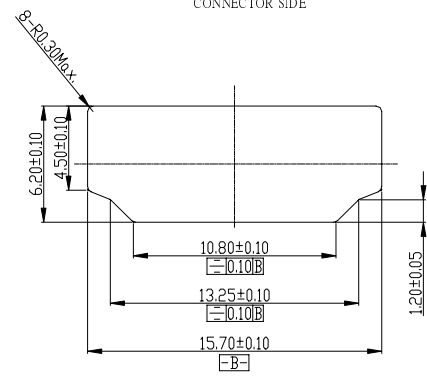
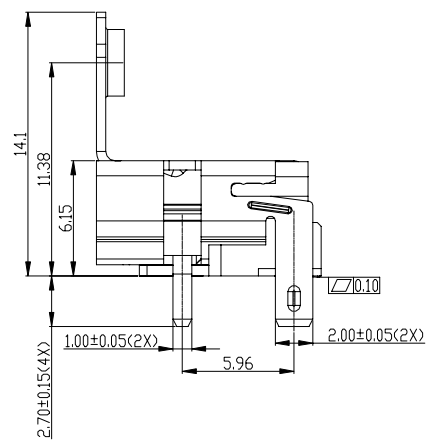
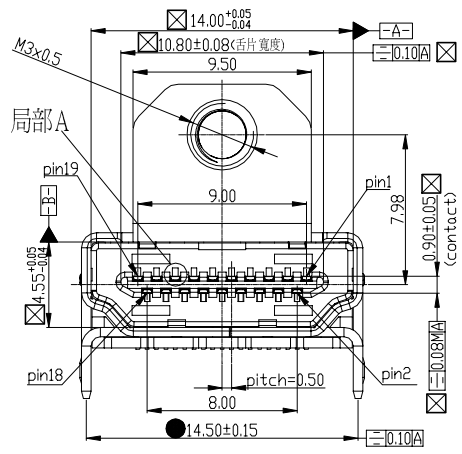
REV.	DESCRIPTION	DWG		APPROVED	
		NAME	DATE	NAME	DATE
X01	PROTOTYPE	Froos	12/21/2009	Sam	12/21/2009

- 1 ■ 功能
- ◆ 裝配
- 控制
- ☒ HDMI 協會尺寸

2

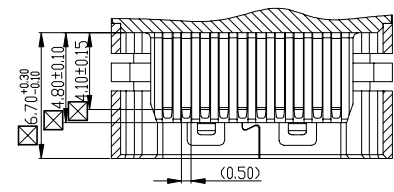
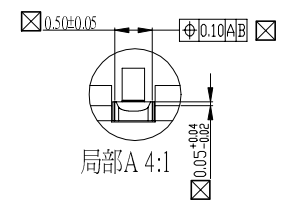
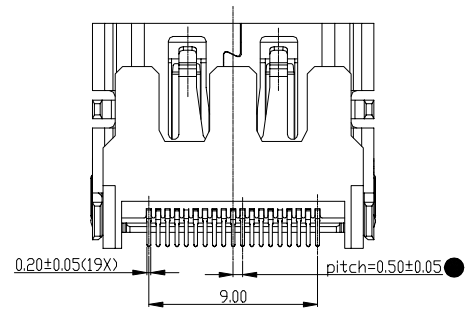


3



- NOTES:
- MATERIAL:  
HOUSING:HIGH TEMPERATURE THERMAL PLASTIC  
SHELL:STAINLESS,THICKNESS=0.5mm  
TERMINAL:BRASS,THICKNESS=0.25mm
  - PLATING:  
TERMINAL:CONTACT AREA:GOLD PLATED  
SOLDER AREA:TIN PLATED  
UNDER PLATE:NICKEL  
SHELL:SOLDERABLE NICKEL PLATE OVERALL
  - COPLANARITY IS 0.1mm MAX.

4



SECTION B-B

Approval Signature

5

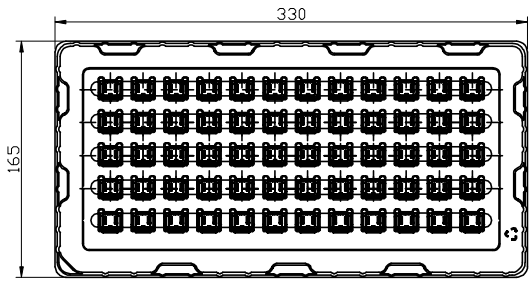
INTENDED USE: <b>ACT</b>		Advanced Connection Technology TAIWAN TEL: 886-2-88091060	
GENERAL DIMENSION		TITLE: <b>HDMI 19PINS I/O (with flange,with backcover)</b>	DRAWN: <b>Froos</b>
.X±0.15		DWG NO: <b>350-19001-16 X01</b>	CHECKED: <b>Coco</b>
.XX±0.10		REV. <b>X01</b>	APPROVED: <b>Sam</b>
UNIT: <b>mm</b>	SCALE: <b>NONE</b>	SHEET <b>1 OF 2</b>	NAME <b>DATE</b>

THESE DRAWINGS AND SPECIFICATIONS ARE THE SOLE PROPERTY OF ADVANCED CONNECTION TECHNOLOGY INC. AND SHALL NOT BE REPRODUCED, COPIED, OR USED IN ANY MANNER WITHOUT THE PRIOR WRITTEN CONSENT OF ADVANCED CONNECTION TECHNOLOGY INC. OR ITS AFFILIATED SUBSIDIARIES.

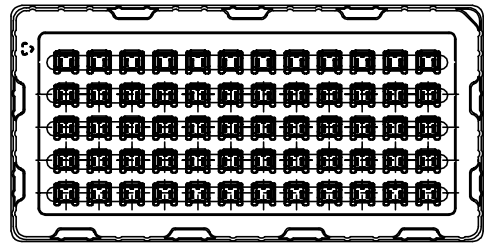
CAD FILE: XS19001-16B

REV.	DESCRIPTION	DWG		APPROVED	
		NAME	DATE	NAME	DATE
X01	PROTOTYPE	Froos	12/21/2009	Sam	12/21/2009

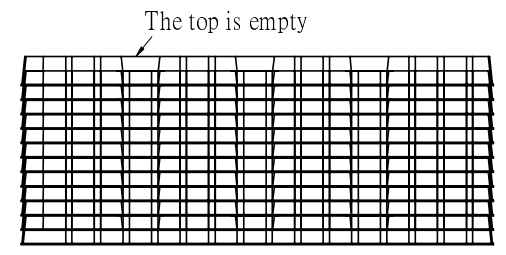
- 1 Functionally dim.
- 2 Assembly dim.
- 3 Control dim.



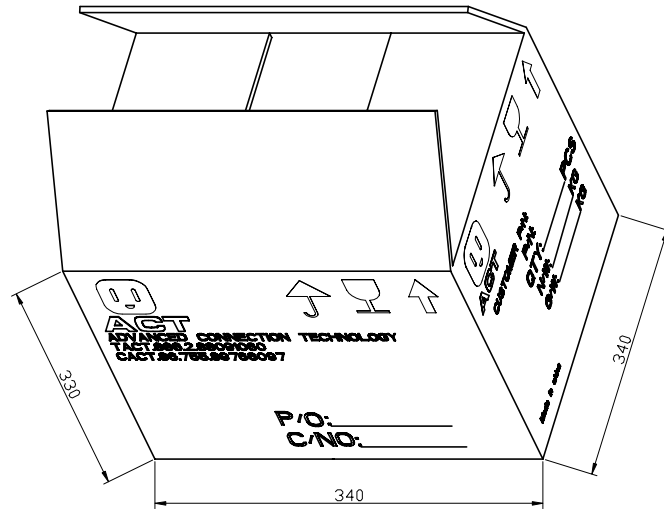
12x5=60pcs



The second tier rotate 180 degree in foundation of the first tier  
The third tier rotate 180 degree in foundation of the second tier  
On the analogy of this



12trays/group, 660pcs/group  
Winding with PE film, and add desiccant



1. 4 groups/box, 2640 pcs/box
2. Carton material: A=A
3. Carton size: 340x340x330mm
4. Carton must be marked order No., quantity, net weight, gross weight when shipping

Approval Signature \_\_\_\_\_

INTENDED USE: ACT	<b>Advanced Connection Technology</b> <small>TAIWAN TEL: 886-2-88091060</small>			
GENERAL DIMENSION	TITLE: <b>packaging</b>	DRAWN: <b>Froos</b>		12/21/2009
<del>XX±10</del>	DWG NO: <b>350-19001-16</b>	REV: <b>X01</b>	CHECKED: <b>Coco</b>	12/21/2009
<del>X.X±5</del>	UNIT: <b>mm</b>	SCALE: <b>NONE</b>	APPROVED: <b>Sam</b>	12/21/2009
	SHEET <b>2 OF 2</b>	NAME	DATE	