

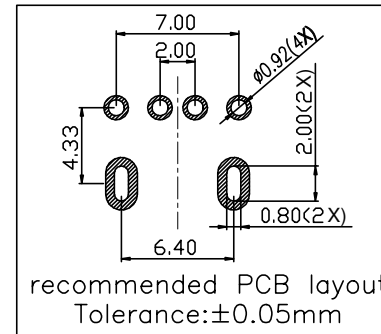
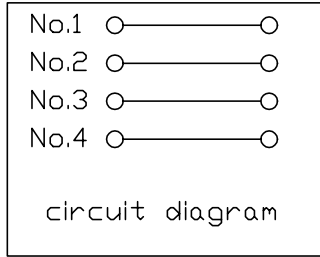
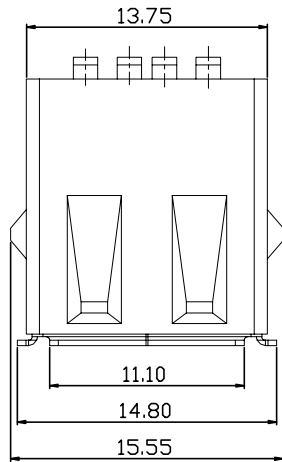
THESE DRAWINGS AND SPECIFICATIONS ARE THE SOLE PROPERTY OF ADVANCED CONNECTION TECHNOLOGY INC. AND SHALL NOT BE REPRODUCED, COPIED, OR USED IN ANY MANNER WITHOUT THE PRIOR WRITTEN CONSENT OF ADVANCED CONNECTION TECHNOLOGY INC. OR ITS AFFILIATED SUBSIDIARIES.

CAD FILE: XS04111-25A

REV.	DESCRIPTION	DWG		APPROVED	
		NAME	DATE	NAME	DATE
X01	PROTDTYPE	apple	07/21/2010	eddy	07/21/2010
X02	changed	apple	10/14/2010	eddy	10/14/2010
X03	inside shell change SPCC to SUS430 change tolerance of some dimension	Froos	04/27/2011	Coco	04/27/2011

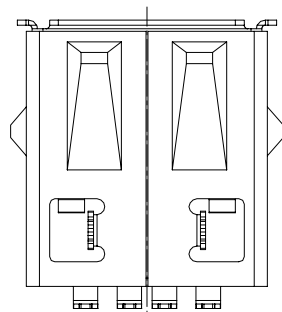
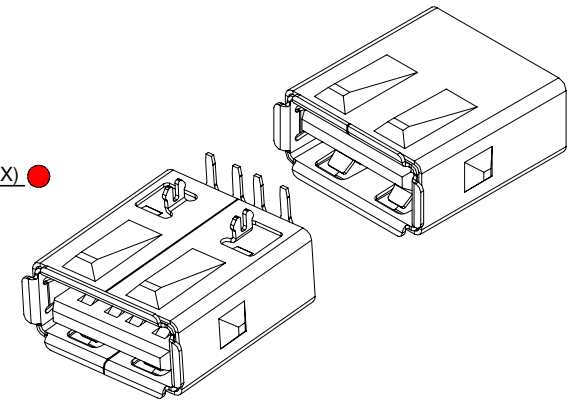
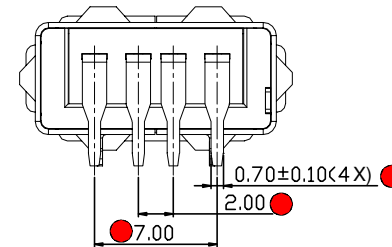
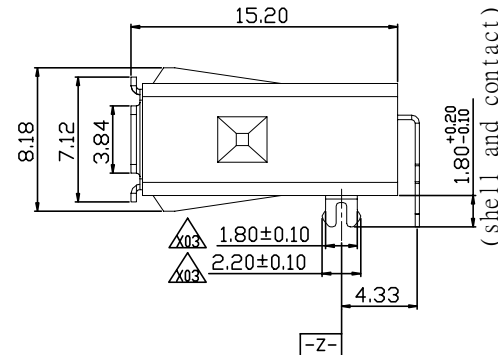
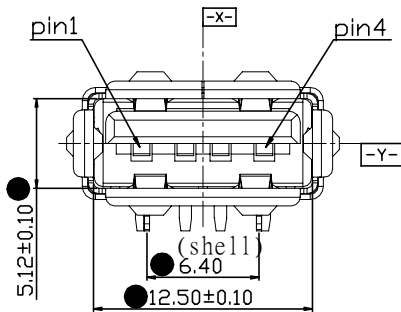
X03

- ◆ Assembly dim.
- Functionally dim.
- Control dim.



NOTES:

1. Material:
 - 1-1 Housing: LCP, black, UL94 V-0
 - 1-2 Terminal: C5191, T=0.25mm
 - X03 1-3 Inside shell: SUS430, T=0.3mm
 - 1-3 Outside Shell: SPCC, T=0.3mm
2. Plating:
 - 2-1 Terminal: plated Au over Ni on contact area
plated Sn over Ni on solder area
 - 2-2 Shell: Ni plate overall
3. Electrical characteristics:
 - 3-1 Contact resistance: 30 milliohms max.
 - 3-2 Dielectric withstanding voltage: 500V AC
 - 3-3 Insulation resistance: 1000 mega-ohms min.
4. Mechanical characteristics:
 - 4-1 Insertion force: 35N max.
 - 4-2 Withdrawal force: 10N min.
 - X03 4-3 Durability: 5000cycles



Approval Signature

INTENDED USE: ACT		ACTT TAIWAN, R.O.C. TEL: 886-2-88091060	
GENERAL DIMENSION		TITLE: USB 4Pins I/O A Type 90°	DRAWN: Froos 04/27/2011
XX±1	.X±0.30	DWG NO: 301-04111-25	CHECKED: Balon 04/27/2011
X±0.50	.XX±0.20	REV. X03	APPROVED: Coco 04/27/2011
UNIT: mm		SCALE: NONE	SHEET 1 OF 1
NAME		DATE	