

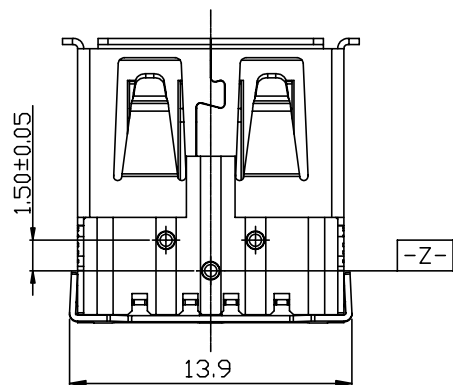
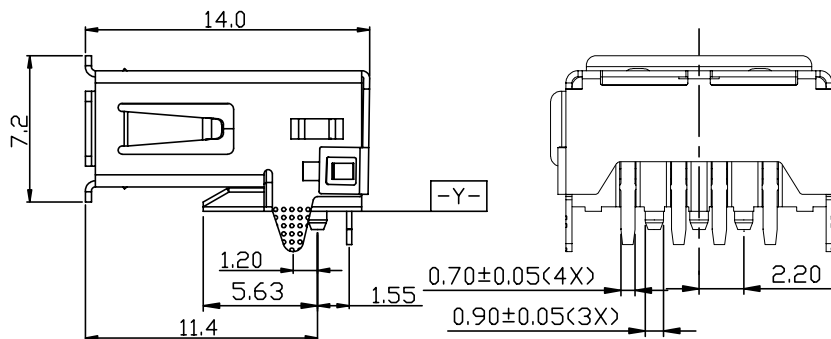
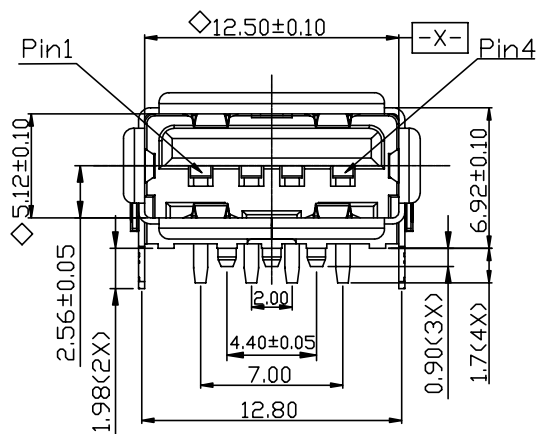
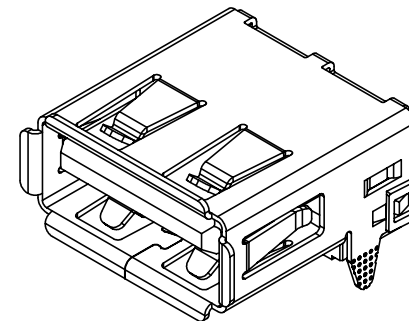
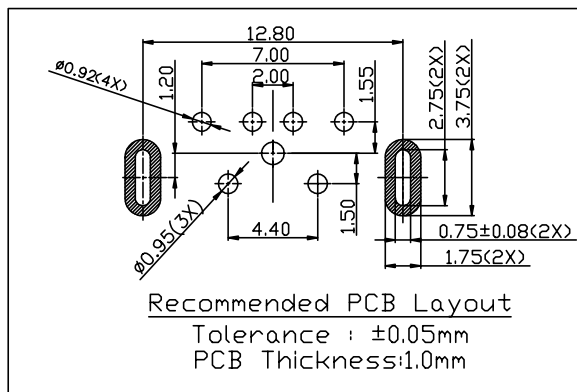
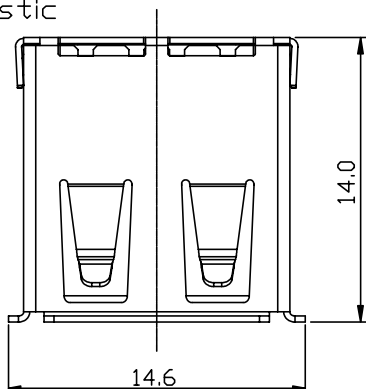
THESE DRAWINGS AND SPECIFICATIONS ARE THE SOLE PROPERTY OF ADVANCED CONNECTION TECHNOLOGY INC. AND SHALL NOT BE REPRODUCED, COPIED, OR USED IN ANY MANNER WITHOUT THE PRIOR WRITTEN CONSENT OF ADVANCED CONNECTION TECHNOLOGY INC. OR ITS AFFILIATED SUBSIDIARIES.

CAD FILE: S04111-54A

REV.	DESCRIPTION	DWG		APPROVED	
		NAME	DATE	NAME	DATE
AA	RELEASED	Bobby	09/16/2013	Coco	09/16/2013

AA

◇Key Characteristic



Notes:

- Electrical Characteristics:
Voltage rating: 30VAC
Current rating: 1.5A max
Withstanding voltage: 500VAC
Insulation Resistance: 1000MΩ min
Contact Resistance: 30mΩ max
- Mechanical:
Mating: 35N max
Withstanding Force: 10N min
Durability: 7500 cycles min
- Environmental
Operating Temperature: -40°C to +85°C
- Material
Housing: High Temperature Thermoplastic, UL94-V0
Contact: Phosphor bronze, T=0.25mm
Shell: stainless steel, T=0.3mm
- Plating:
Contact: Nickel under plated, Glod plated on contact area and Tin plated on solder area
Shell: Nickel over all plating

Approval Signature

Automotive	<input checked="" type="checkbox"/> Yes	<input type="checkbox"/> No
RoHS	<input checked="" type="checkbox"/> Yes	<input type="checkbox"/> No
Halogen-Free	<input checked="" type="checkbox"/> Yes	<input type="checkbox"/> No
REACH	<input checked="" type="checkbox"/> Yes	<input type="checkbox"/> No

INTENDED USE: ACTT
GENERAL DIMENSION
XX±0.50 .X±0.20
X±0.35 .XX±0.15
Angle ±3°

	TAIWAN, R.O.C. http://www.act-ioi.com.tw/
TITLE: USB 4Pins AF 90° DIP/NORMAL	DRAWN: Bobby 09/16/2013
DWG NO: 301-04111-54	CHECKED: Froos 09/16/2013
UNIT: mm	REV: AA
SCALE: NONE	APPROVED: Coco 09/16/2013
SHEET 1 OF 2	NAME DATE

THESE DRAWINGS AND SPECIFICATIONS ARE THE SOLE PROPERTY OF ADVANCED CONNECTION TECHNOLOGY INC. AND SHALL NOT BE REPRODUCED, COPIED, OR USED IN ANY MANNER WITHOUT THE PRIOR WRITTEN CONSENT OF ADVANCED CONNECTION TECHNOLOGY INC. OR ITS AFFILIATED SUBSIDIARIES.

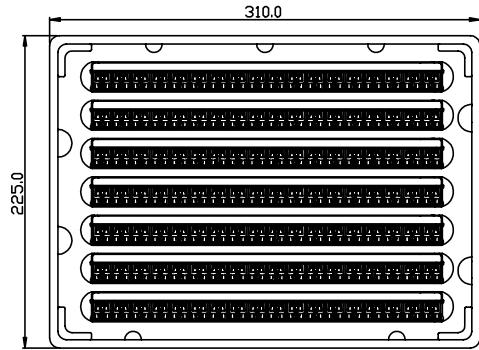
CAD FILE: S04111-54B

REV.	DESCRIPTION	DWG		APPROVED	
		NAME	DATE	NAME	DATE
AA	RELEASED	Bobby	09/16/2013	Coco	09/16/2013

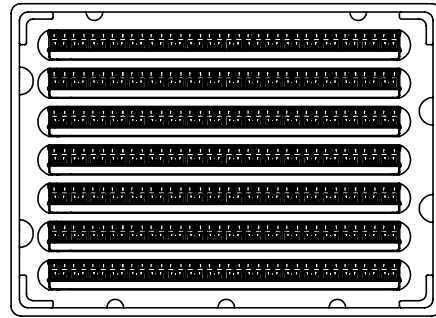
AA

1 ◇Key Characteristic

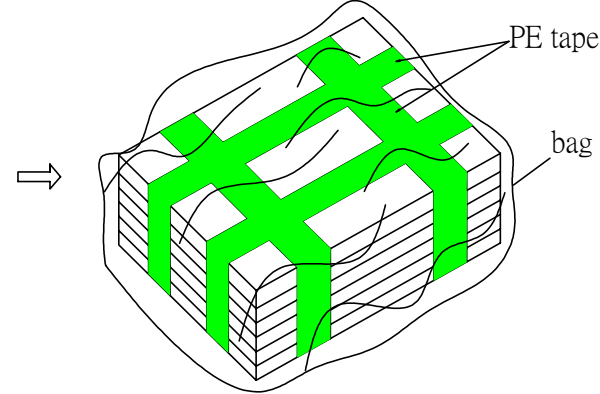
18x7=126pcs/tray



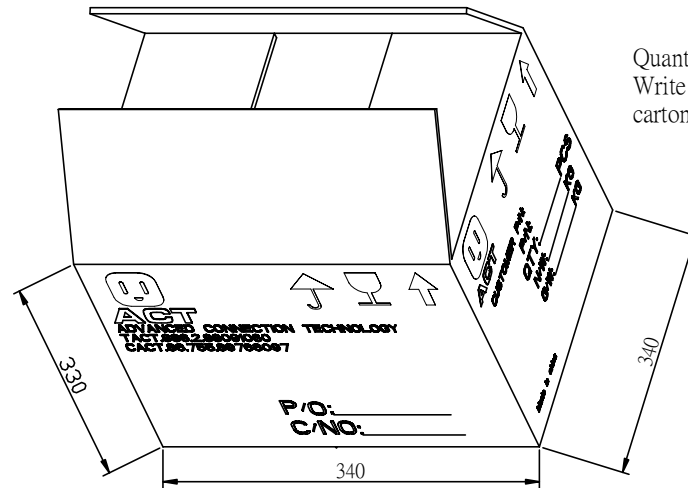
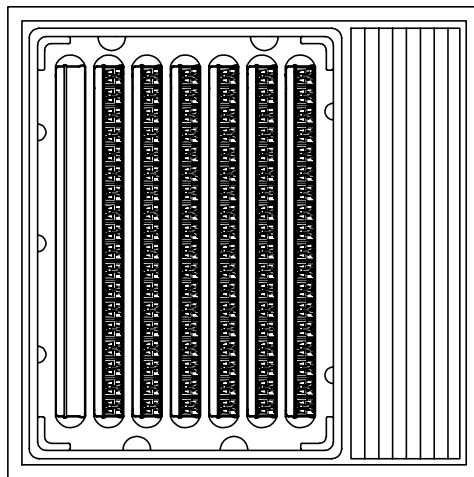
the second layer rotate 180° base on the first layer
the third,the fourth layer too



11trays/bundle,1260pcs/bundle,but the top layer is empty,and wrap with PE tape,then put on four drier,cover a PE bag



placed 3 bundles flat,placed 1 bundle vertically,total 4 bundles per carton,fill in the spare space with paper slip



Quantity: 5040pcs/carton
Write lot No.,quantity,NW,GW on the outer carton.

5

Approval Signature

Automotive	<input checked="" type="checkbox"/> Yes	<input type="checkbox"/> No
RoHS	<input checked="" type="checkbox"/> Yes	<input type="checkbox"/> No
Halogen-Free	<input checked="" type="checkbox"/> Yes	<input type="checkbox"/> No
REACH	<input checked="" type="checkbox"/> Yes	<input type="checkbox"/> No

INTENDED USE: ACT	
GENERAL DIMENSION	
XX±0.30	.X±0.15
X±0.20	.XX±0.10
Angle	±3°

		TAIWAN, R.O.C. http://www.act-ioi.com.tw/	
TITLE: USB 4Pins AF 90° DIP/NORMAL		DRAWN: Bobby	09/16/2013
DWG NO: 301-04111-54		CHECKED: Froos	09/16/2013
REV. AA		APPROVED: Coco	09/16/2013
UNIT: mm	SCALE: NONE	SHEET 2 OF 2	NAME DATE