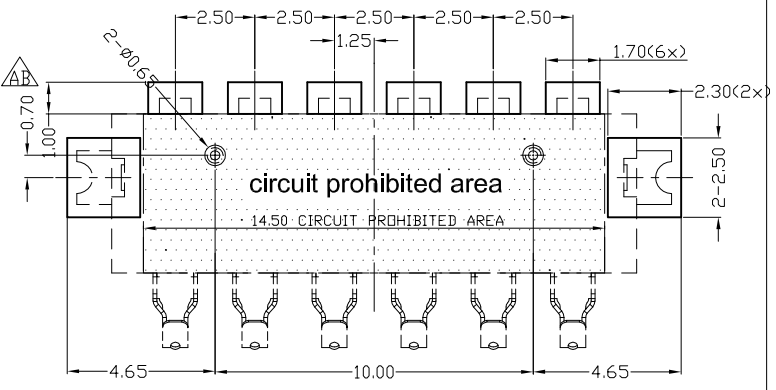
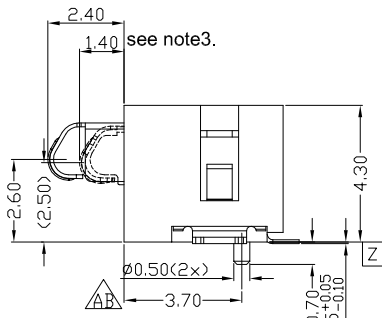
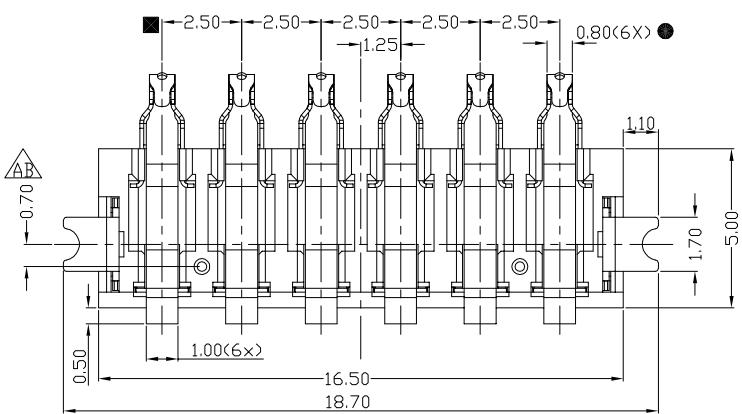
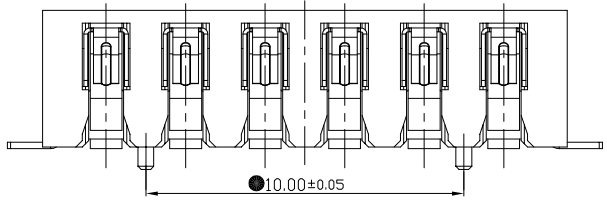
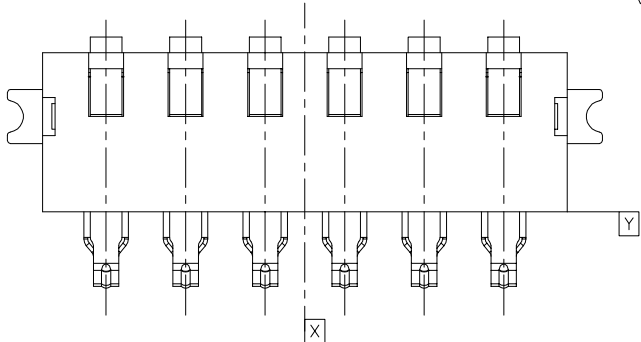
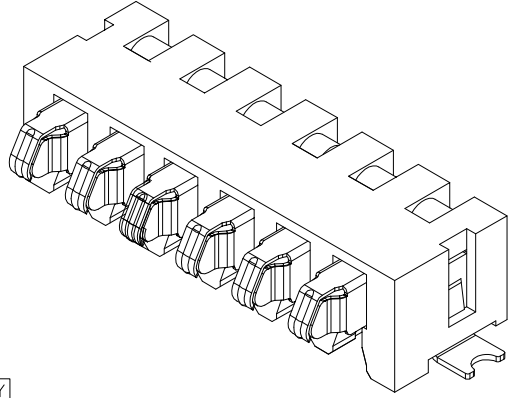


THESE DRAWINGS AND SPECIFICATIONS ARE THE SOLE PROPERTY OF ADVANCED CONNECTION TECHNOLOGY INC. AND SHALL NOT BE REPRODUCED, COPIED, OR USED IN ANY MANNER WITHOUT THE PRIOR WRITTEN CONSENT OF ADVANCED CONNECTION TECHNOLOGY INC. OR ITS AFFILIATED SUBSIDIARIES.

CAD FILE:S0600001a

REV.	DESCRIPTION	DWG		APPROVED	
		NAME	DATE	NAME	DATE
AA	Released	Erin	11/03/2008	Venky	11/05/2008
AB	ECN:DC0901007	Erin	2009/01/15	Venky	2009/01/15

- ▲ AB
- 1 ■ Functionally dim.
- ◆ Assembly dim.
- Control dim.



RECOMMENDED PCB LAYOUT  
TOLERANCE : ±0.05mm

- NOTE:**
1. Material:
    - Housing: High-Temperature Nylon, UL94V-0, BLACK.
    - Contact: Copper alloy.
    - Plating: Ni Over all, Au (Contact area), Au (Soldering area).
    - Soldering Pin: Copper alloy.
    - Plating: Ni, Sn Over all.
  2. COPLANARITY SHOULD BE WITHIN 0.1mm.
  3. CONTACT FORCE: 100gf MIN AT Contact 1.4mm height.

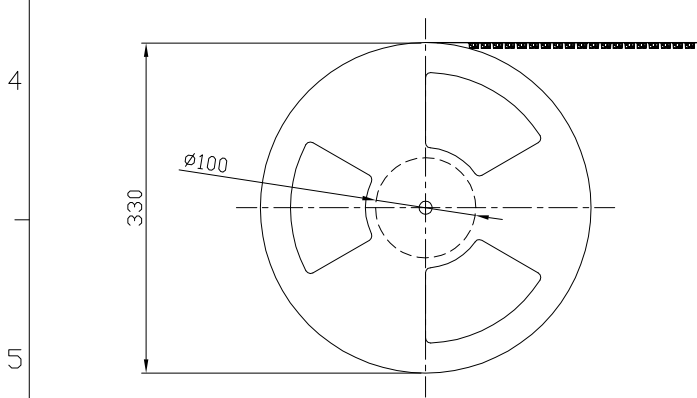
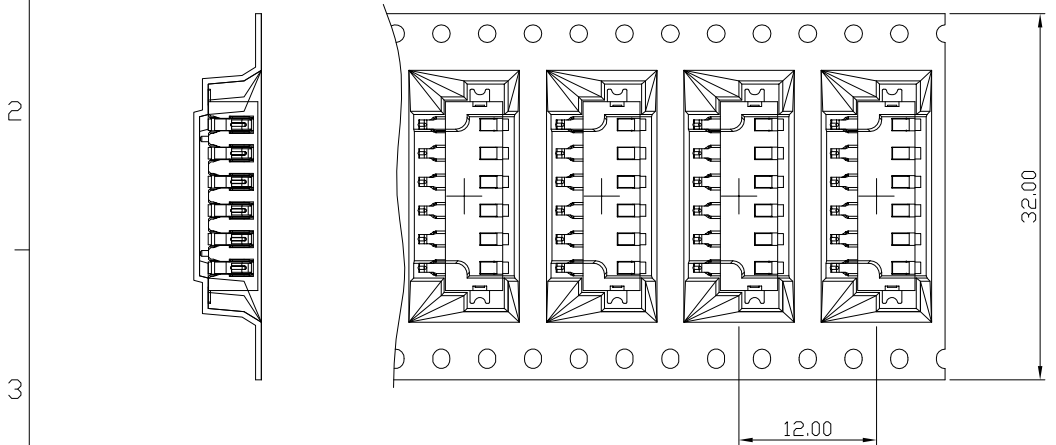
INTENDED USE: THTC	Advanced Connection Technology TAIWAN TEL: 886-2-88091060			
GENERAL DIMENSION	TITLE: 6pin Battery Conn. Pitch=2.5mm		DRAWN: Erin	2009/01/15
XX±0.25 .XX±0.15	DWG NO: 800-06000-01		CHECKED: Ray	2009/01/15
X±0.20 .XX±0.1	REV. AB		APPROVED: BILL	2009/01/15
	UNIT: mm	SCALE: NONE	SHEET 1 OF 2	NAME DATE

THESE DRAWINGS AND SPECIFICATIONS ARE THE SOLE PROPERTY OF ADVANCED CONNECTION TECHNOLOGY INC. AND SHALL NOT BE REPRODUCED, COPIED, OR USED IN ANY MANNER WITHOUT THE PRIOR WRITTEN CONSENT OF ADVANCED CONNECTION TECHNOLOGY INC. OR ITS AFFILIATED SUBSIDIARIES.

CAD FILE: S0600001b

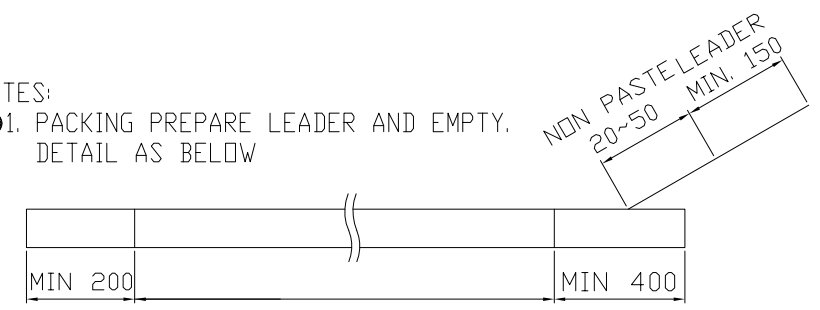
REV.	DESCRIPTION	DWG		APPROVED	
		NAME	DATE	NAME	DATE
AA	RELEASED	Erin	11/04/2008	Venky	11/05/2008
AB	ECN:DC0901007	Erin	2009/01/15	Venky	2009/01/15

- ▲▲▲
- 1 ■ Functionally dim.
  - ◆ Assembly dim.
  - Control dim.



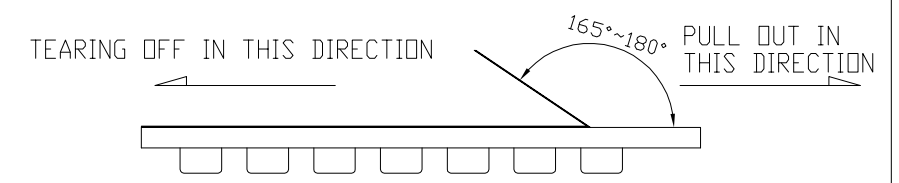
NOTES:

● 1. PACKING PREPARE LEADER AND EMPTY. DETAIL AS BELOW



TAIL<EMPTY> WITH CONNECTOR LEADER<EMPTY>

● 2. FORCE OF TEARING OFF TOP TAPE 30~80 gf



- 3. EDGE OF ROLLING UP SHOULD BE ADHERED THE TOP COVER TAPE TO THE SIDE OF REEL AN ADHENSIVE TAPE
- 4. TOP COVER TAPE SHOULD BE LIMITED IN AREA OF PLASTIC TAPE
- 5. PLASTIC REEL ---DIM A Ø330 DIM B Ø100
- 6. QUANTITY----PLASTIC REEL ABOUT 800 PCS
- 7. CARRIER TAPE COLOR : TRANSPARENT.

INTENDED USE: THTC		Advanced Connection Technology TAIWAN TEL: 886-2-88091060			
GENERAL DIMENSION		TITLE: 6pin Battery Conn. Pitch=2.5mm		DRAWN: Erin 2009/01/15	
XX±0.15	.X±0.07	DWG NO: 800-06000-01		CHECKED: Ray 2009/01/15	
X±0.10	.XX±0.03	REV. AB		APPROVED: Venky 2009/01/15	
UNIT: mm		SCALE: NONE		SHEET 2 OF 2	
		NAME		DATE	