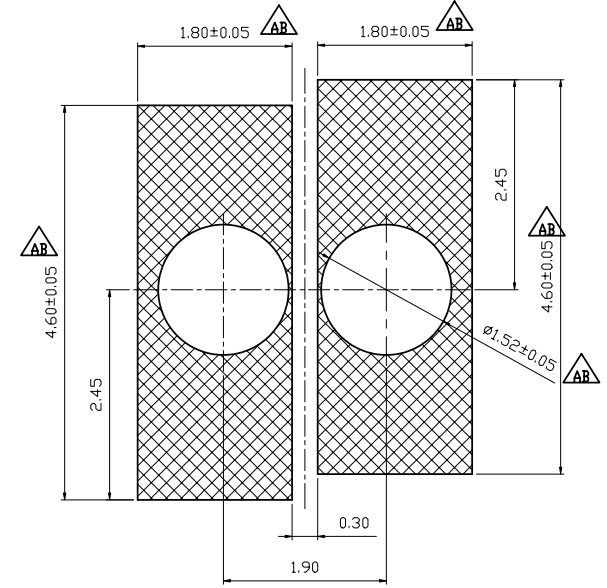
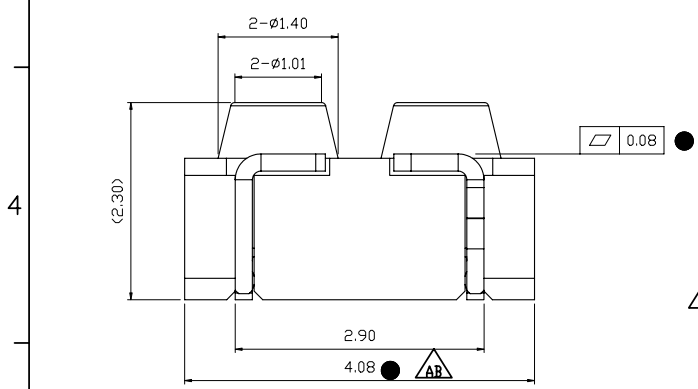
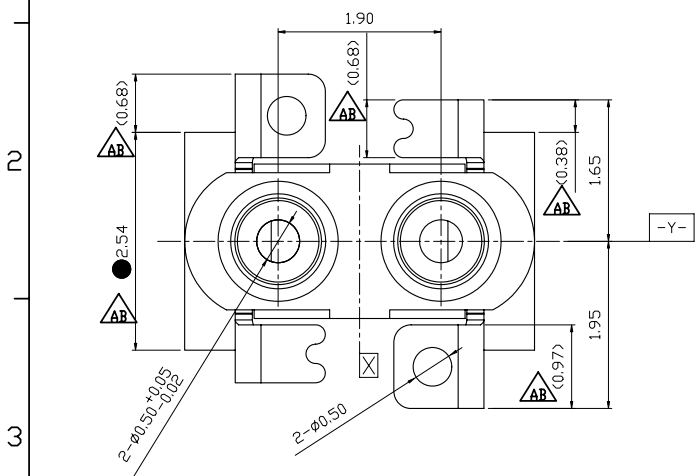


THESE DRAWINGS AND SPECIFICATIONS ARE THE SOLE PROPERTY OF ADVANCED CONNECTION TECHNOLOGY INC. AND SHALL NOT BE REPRODUCED, COPIED, OR USED IN ANY MANNER WITHOUT THE PRIOR WRITTEN CONSENT OF ADVANCED CONNECTION TECHNOLOGY INC. OR ITS AFFILIATED SUBSIDIARIES.

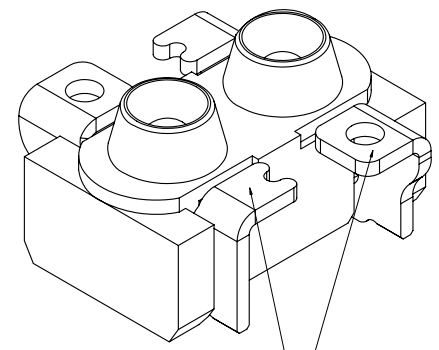
CAD FILE: S0000100a

REV.	DESCRIPTION	DWG		APPROVED	
		NAME	DATE	NAME	DATE
AA	RELEASED	Memory	11/18/2007	Hunter	11/18/2007
AB	ECN NO: DC0806009	Sky	May/28/2008	Hunter	May/28/2008

- ◆ Assembly dim.
- Functionally dim.
- Control dim.



RECOMMENDED PCB LAYOUT
(GENERAL TOLERANCES : ±0.08)



FINISH:
CONTACT: Sn 155u" MIN OVERALL.
Nickel 50u"Min.UNDERPLATED OVERALL

- Note:
- MATERIAL:
CONTACT : COPPER ALLOY
HOUSING : HEAT THERMAL PLASTIC
UL94V-0 ,BLOCK GLASS FIBER FILLED
 - FINISH:
CONTACT: Sn 155u" MIN OVERALL.
Nickel 50u"Min.UNDERPLATED OVERALL

INTENDED USE: ACT		Advanced Connection Technology			
GENERAL DIMENSION		TITLE:	Microphone Connector		
XX±0.30	.X±0.15	DRAWN:	Sky	May/28/2008	
X±0.20	.XX±0.10	CHECKED:	Knight		
DWG NO: 191-00001-00		REV.:	AB	May/28/2008	
UNIT:	SCALE:	SHEET	NAME	DATE	
mm	NONE	1 OF 2			

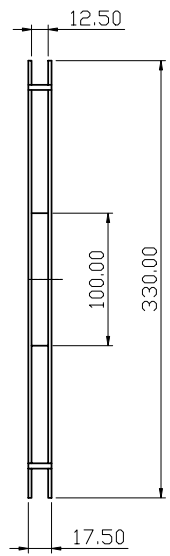
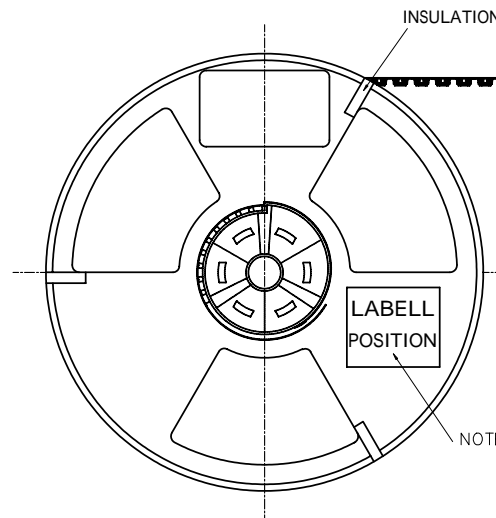
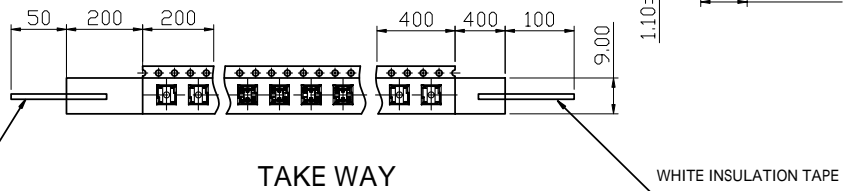
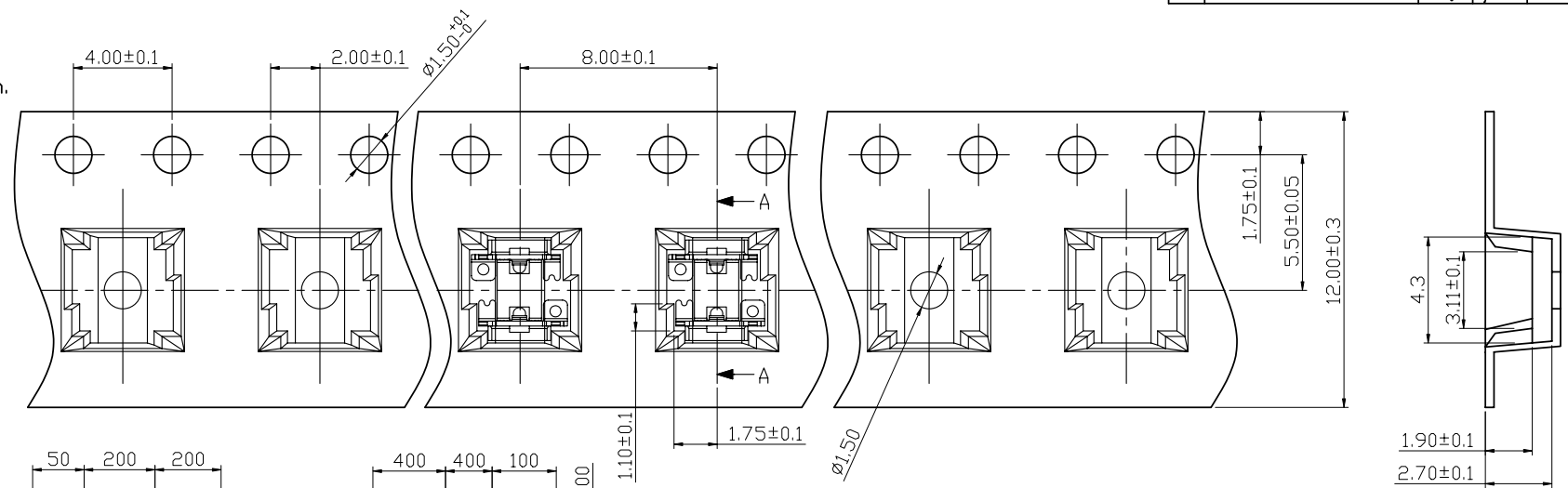
THESE DRAWINGS AND SPECIFICATIONS ARE THE SOLE PROPERTY OF ADVANCED CONNECTION TECHNOLOGY INC. AND SHALL NOT BE REPRODUCED, COPIED, OR USED IN ANY MANNER WITHOUT THE PRIOR WRITTEN CONSENT OF ADVANCED CONNECTION TECHNOLOGY INC. OR ITS AFFILIATED SUBSIDIARIES.

CAD FILE: S0000100b

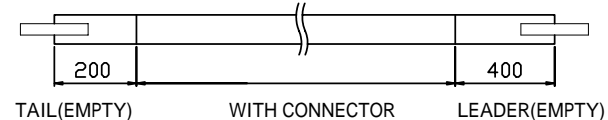
REV.	DESCRIPTION	DWG		APPROVED	
		NAME	DATE	NAME	DATE
AA	RELEASED	Memory	11/18/2007	Hunter	11/18/2007
AB	ECN NO: DC0806009	Sky	May/28/2008	Hunter	May/28/2008

△ AB

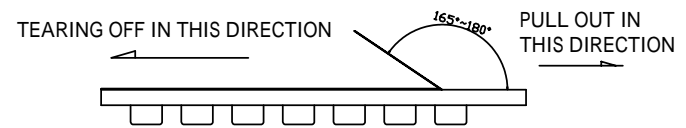
- 1 ◆ Assembly dim.
- 2 ■ Functionally dim.
- 3 ● Control dim.



NOTE:
● 1. PACKING PREPARE LEADER AND EMPTY. DETAIL AS BELOW (UNIT:mm)



● 2. FORCE OF TEARING OFF TOP TAPE 15-80 gf.



- 3. QUANTITY---PLASTIC REEL ABOUT 3000 PCS.
- 4. PLEASE ATTACH QUALIFIED LABEL ACCORDING TO THIS DRAWING.
- 5. EACH REEL NEEDS STICKING 3 PIECES INSULATION TAPE(L=10cm)

INTENDED USE: ACT		Advanced Connection Technology			
GENERAL DIMENSION		TITLE: Carrier Type for MIC		DRAWN: Sky May/28/2008	
XX±0.30	.X±0.15	DWG NO: 191-00001-00		CHECKED: Knight May/28/2008	
X±0.20	.XX±0.10	REV. AB		APPROVED: Hunter May/28/2008	
UNIT: mm		SCALE: NONE	SHEET: 2 OF 2	NAME	DATE