

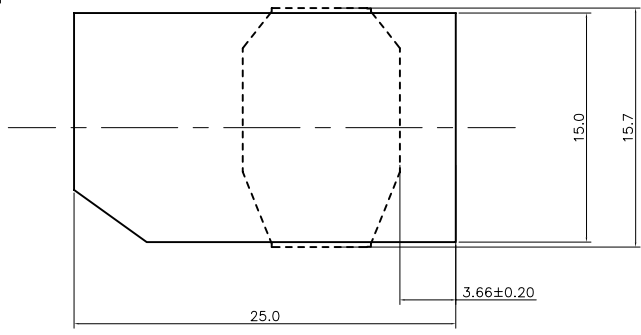
THESE DRAWINGS AND SPECIFICATIONS ARE THE SOLE PROPERTY OF ADVANCED CONNECTION TECHNOLOGY INC. AND SHALL NOT BE REPRODUCED, COPIED, OR USED IN ANY MANNER WITHOUT THE PRIOR WRITTEN CONSENT OF ADVANCED CONNECTION TECHNOLOGY INC. OR ITS AFFILIATED SUBSIDIARIES.

CAD FILE:S0200109A

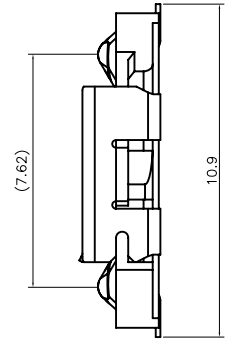
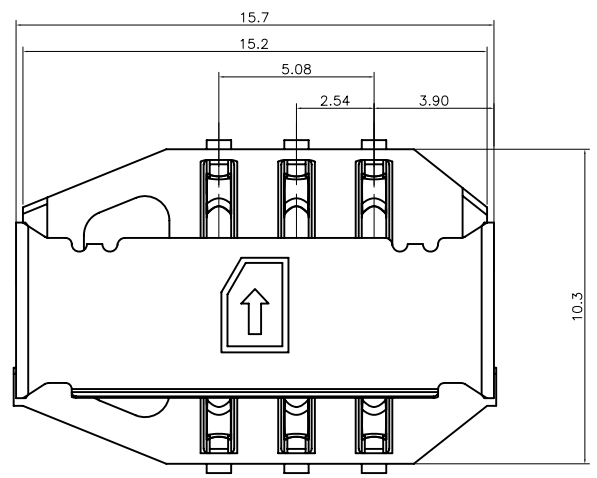
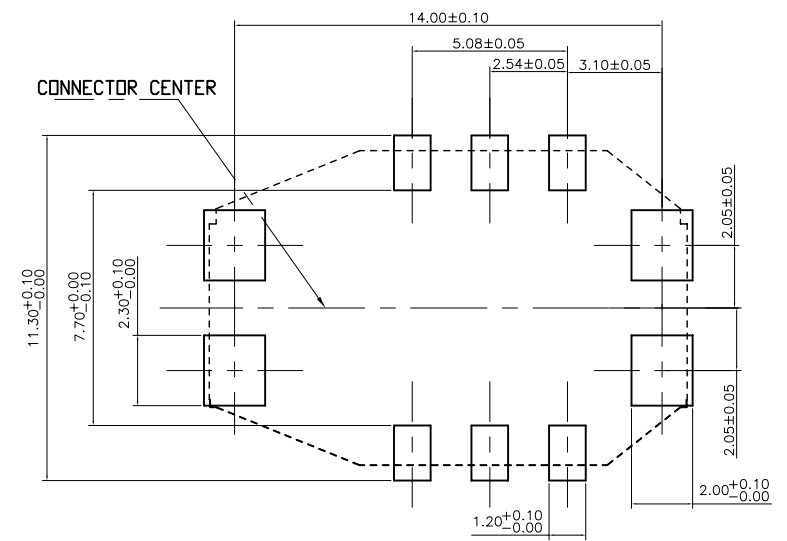
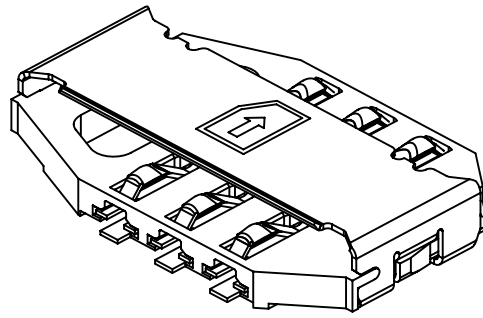
REV.	DESCRIPTION	DWG		APPROVED	
		NAME	DATE	NAME	DATE
AA	PROTOTYPE	Tony	06/23/2007	Howard	06/23/2007



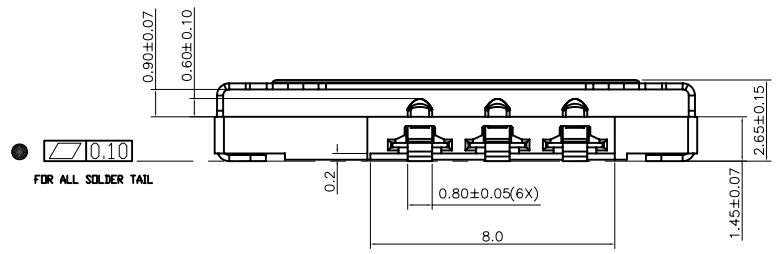
- ◆ Assembly dim.
- Functionally dim.
- Control dim.



SCALE 1:2



Note:
 1.MATERIAL:
 a. HOUSING : HEAT THERMAL PLASTIC UL94V-0
 GLASS FIBER FILLED
 b. TERMINAL : COPPER ALLOY
 c. METAL SHELL : STAINLESS STELL
 2.FINISH:
 CONTACT: 10u" GOLD PLATED IN CONTACT AREA.
 GOLD FLASH ON SOLDER TAILS
 Nickel UNDERPLATED OVERALL
 METAL SHELL :Ni 50u" UNDERPLATING(SOLDER TAIL)
 GOLD FLASH ON SOLDER AREA



FOR ALL SOLDER TAIL

INTENDED USE: ACT		ACT Advanced Connection Technology Inc. TAIWAN, R.O.C. TEL: 886-2-88091060			
GENERAL DIMENSION		TITLE: Sim Card Conn. 嵌入式插pin H=2.65mm		DRAWN: Tony 06/23/2007	
XX±0.30	.X±0.20	DWG NO: 217-02001-09		CHECKED: Mark 06/23/2007	
X±0.25	.XX±0.10			APPROVED: Howard 06/23/2007	
		REV. AA	SHEET 1 OF 2		DATE
		UNIT: mm	SCALE: NONE	NAME	DATE

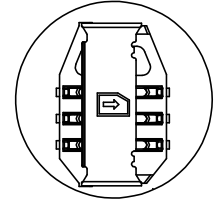
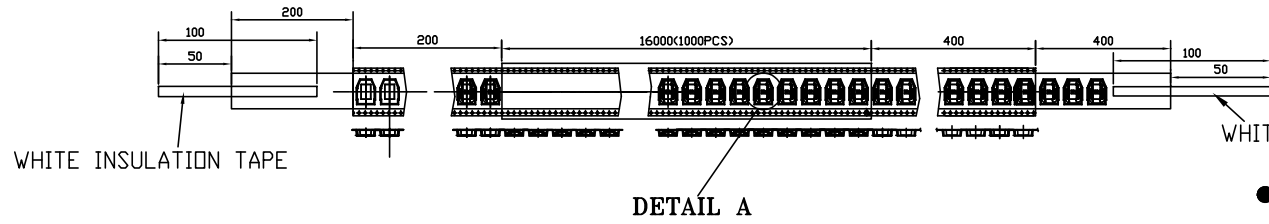
THESE DRAWINGS AND SPECIFICATIONS ARE THE SOLE PROPERTY OF ADVANCED CONNECTION TECHNOLOGY INC. AND SHALL NOT BE REPRODUCED, COPIED, OR USED IN ANY MANNER WITHOUT THE PRIOR WRITTEN CONSENT OF ADVANCED CONNECTION TECHNOLOGY INC. OR ITS AFFILIATED SUBSIDIARIES.

CAD FILE: S0200109B

REV.	DESCRIPTION	DWG		APPROVED	
		NAME	DATE	NAME	DATE
AA	RELEASE	Tony	06/23/2007	HOWARD	06/23/2007

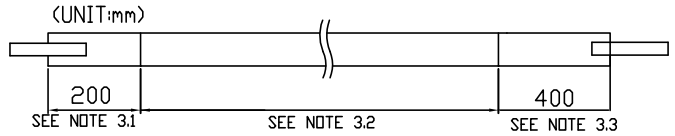
- 1 ◆ Assembly dim.
- 2 ■ Functionally dim.
- 3 ● Control dim.

CARRIER TAPE WAY OUT



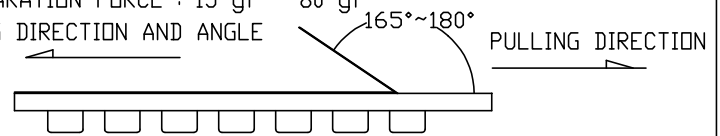
DETAIL A

NOTE:
● 3.PACKAGING INSTRUCTIONS

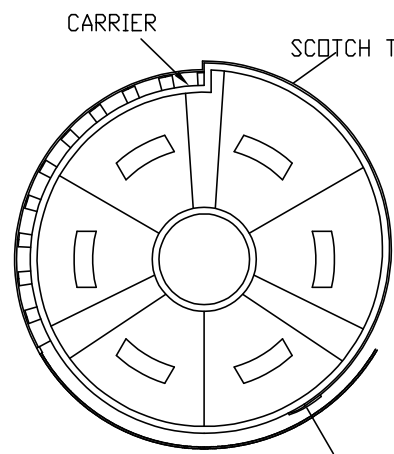
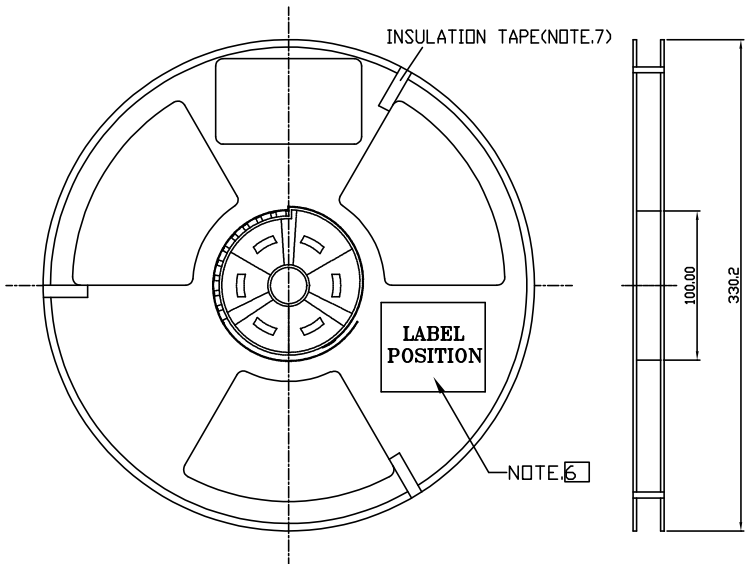


- 3.1 CARRIER TAPE END ATTACHED TO THE REEL(W/D CONN.)
- 3.2 EMPTY(CONNECTOR)
- 3.3 CARRIER TAPE END(W/D CONN.)

● 4. THE SEPARATION FORCE BETWEEN COVER TAPE AND CARRIER TAPE
SEPARATION FORCE : 15 gf - 80 gf
TEARING DIRECTION AND ANGLE



- 5. 1000 PCS/PER PLASTIC REEL
- 6. ATTACH QUALIFIED LABEL ACCORDING TO THIS DRAWING
- 7. EACH REEL NEEDS STICKING 3 PIECES INSULATION TAPE,(L=10cm)



PACKAGE WAY

INTENDED USE: ENGRG		ACT Advanced Connection Technology Inc. TAIWAN, R.O.C. TEL: 886-2-88091060			
GENERAL DIMENSION		TITLE: SIM CARD Conn.		DRAWN: Tony 06/23/2007	
XX±0.30	XX±0.15	DWG NO: 217-02001-09		CHECKED: Mark 06/23/2007	
X±0.20	X.XX±0.10	REV. AA		APPROVED: HOWARD 06/23/2007	
UNIT: mm		SCALE: NONE		SHEET 2 OF 2	
		NAME		DATE	