

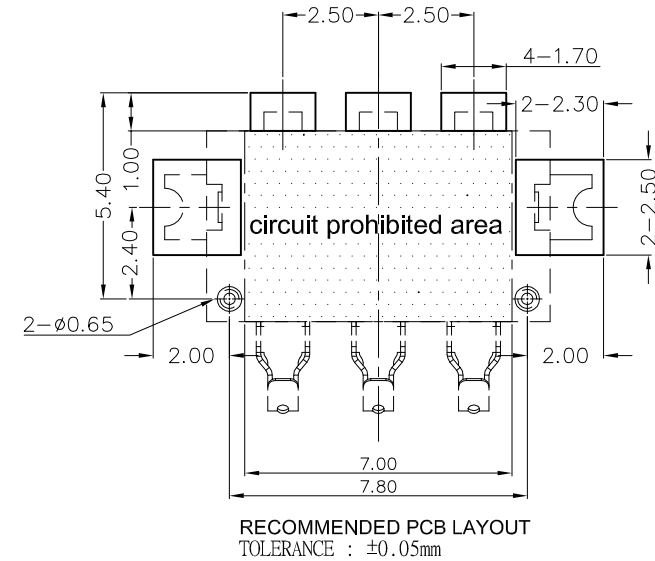
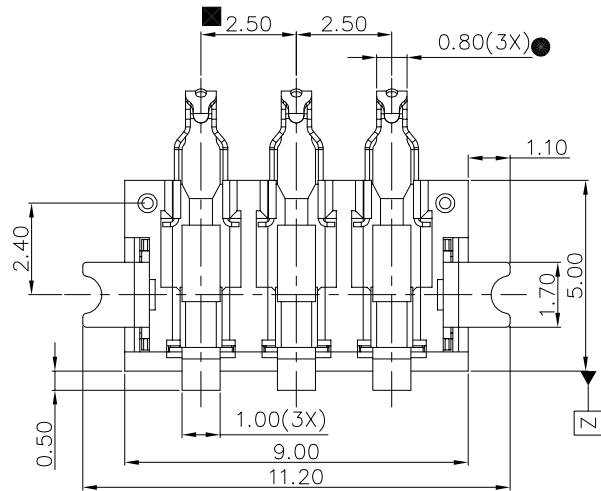
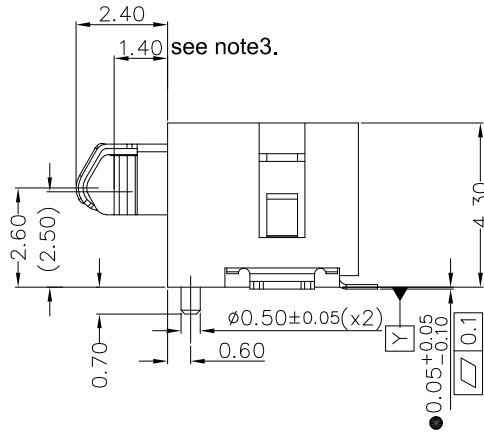
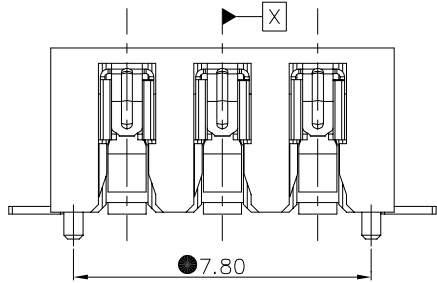
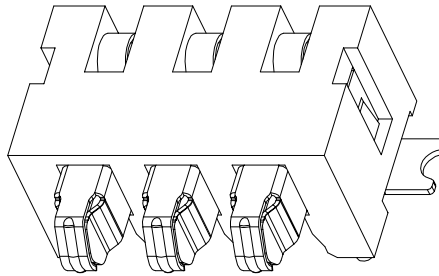
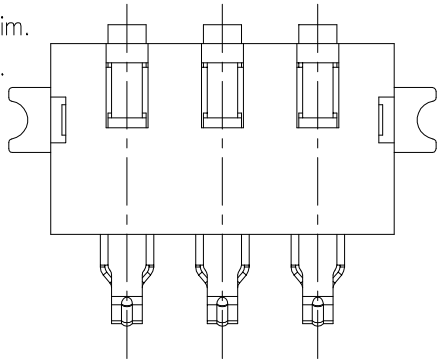
THESE DRAWINGS AND SPECIFICATIONS ARE THE SOLE PROPERTY OF ADVANCED CONNECTION TECHNOLOGY INC. AND SHALL NOT BE REPRODUCED, COPIED, OR USED IN ANY MANNER WITHOUT THE PRIOR WRITTEN CONSENT OF ADVANCED CONNECTION TECHNOLOGY INC. OR ITS AFFILIATED SUBSIDIARIES.

CAD FILE:XS0300014a

REV.	DESCRIPTION	DWG		APPROVED	
		NAME	DATE	NAME	DATE
X01	Prototype	Erin	12/22/2008	Venky	12/22/2008

△X01

- ◆ Functionally dim.
- Assembly dim.
- Control dim.




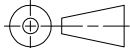
**NOTE:**

**1. Material:**

- Housing: High-Temperature Nylon, UL94V-0, BLACK.
- Contact: Copper alloy.
- Plating: Ni Over all, Au (Contact area), Au (Soldering area).
- Soldering Pin: Copper alloy.
- Plating: Ni, Sn Over all.

**2. COPLANARITY SHOULD BE WITHIN 0.1mm.**

**3. CONTACT FORCE: 100gf MIN AT contact 1.4mm height**

INTENDED USE: TCOM	 <b>Advanced Connection Technology</b> TAIWAN TEL: 886-2-88091060			
GENERAL DIMENSION	TITLE: <b>3pin Battery Conn.</b> Pitch=2.5mm	Erin	12/22/2008	
XX±0.25 .XX±0.15	DWG NO: <b>800-03000-14</b>	CHECKED: <b>Venky</b>	12/22/2008	
X±0.20 .XX±0.1	REV. <b>X01</b>	APPROVED: <b>Venky</b>	12/22/2008	
	UNIT: <b>mm</b>	SCALE: <b>NONE</b>	SHEET <b>1 OF 1</b>	NAME DATE

Approval Signature