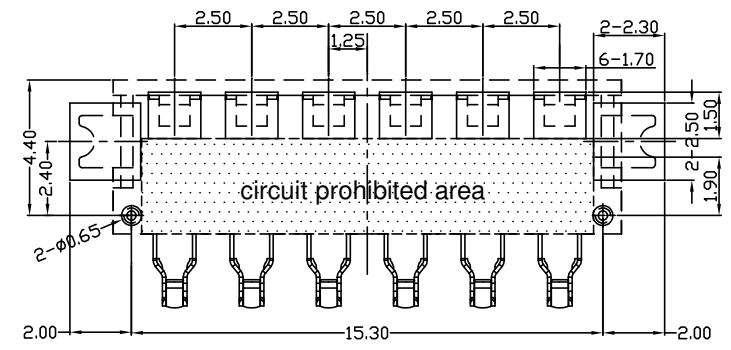
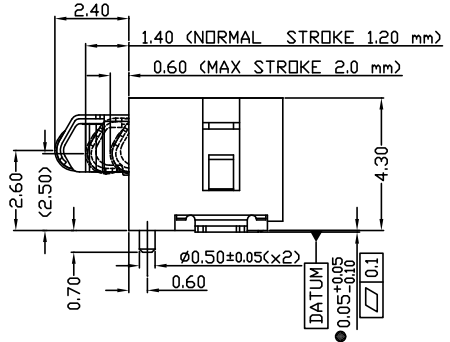
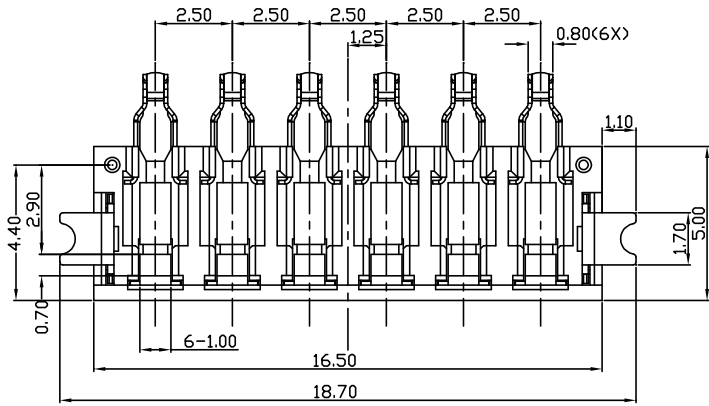
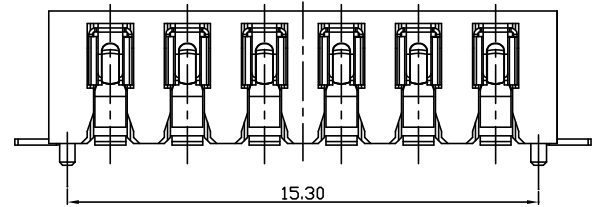
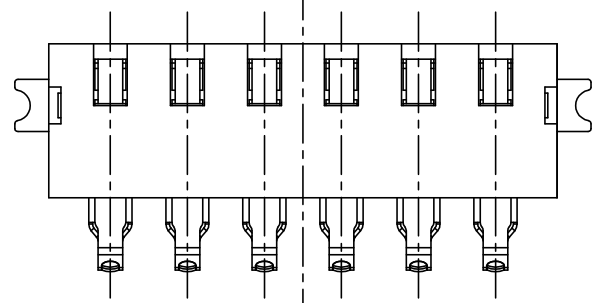
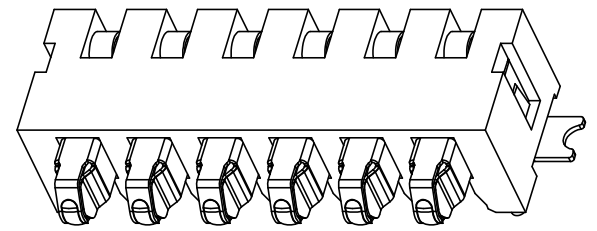
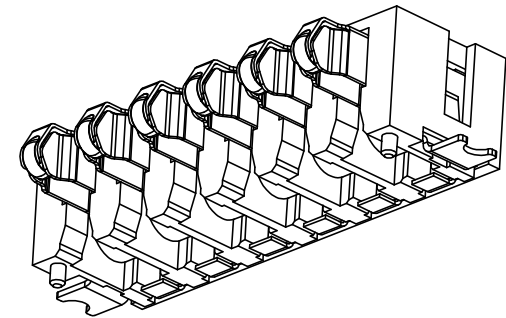


THESE DRAWINGS AND SPECIFICATIONS ARE THE SOLE PROPERTY OF ADVANCED CONNECTION TECHNOLOGY INC. AND SHALL NOT BE REPRODUCED, COPIED, OR USED IN ANY MANNER WITHOUT THE PRIOR WRITTEN CONSENT OF ADVANCED CONNECTION TECHNOLOGY INC. OR ITS AFFILIATED SUBSIDIARIES.

CAD FILE:XS0600005a

REV.	DESCRIPTION	DWG		APPROVED	
		NAME	DATE	NAME	DATE
X01	PROTOTYPE	Erin	12/15/2006	Venky	12/15/2006

- ◆ 裝配
- 功能
- 控制



RECOMMENDED PCB LAYOUT  
TOLERANCE : ±0.05mm

- NOTE:
- Material:
    - Housing: High-Temperature Nylon, UL94V-0, BLACK.
    - Contact: Copper alloy.
    - Plating: Ni Over all, Au (Contact area), Au (Soldering area).
    - Soldering Pin: Copper alloy.
    - Plating: Ni, Sn Over all.
  - COPLANARITY SHOULD BE WITHIN 0.1mm.
  - CONTACT FORCE: 110gf MIN AT STORKE OF 1.2mm.

INTENDED USE: THTC		<b>ACT</b> Advanced Connection Technology Inc. TAIWAN, R.O.C. TEL: 886-2-88091060			
GENERAL DIMENSION		TITLE: 6pin Battery Conn. Pitch=2.5mm		DRAWN: Erin	12/15/2006
XX±0.25	.X±0.15	DWG NO: 800-06000-05 X01		CHECKED: Kieth	12/15/2006
X±0.20	.XX±0.1	REV.		APPROVED: Venky	12/15/2006
UNIT: mm		SCALE: NONE	SHEET 1 OF 1	NAME	DATE

