

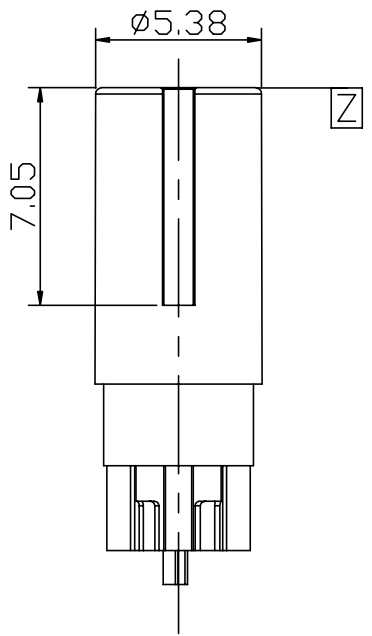
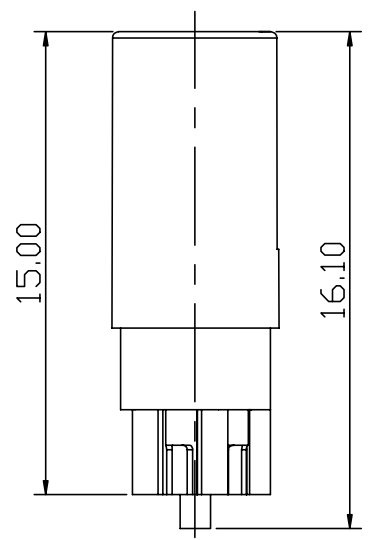
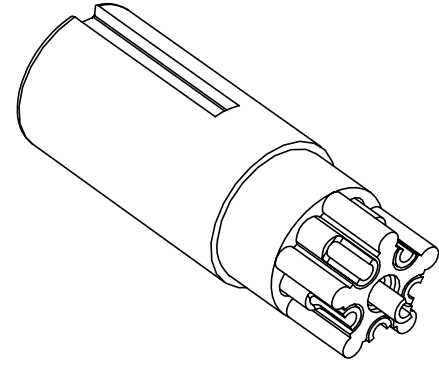
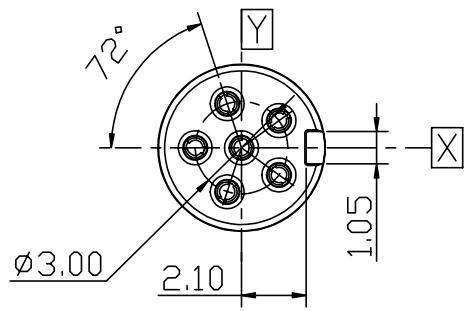
THESE DRAWINGS AND SPECIFICATIONS ARE THE SOLE PROPERTY OF ADVANCED CONNECTION TECHNOLOGY INC. AND SHALL NOT BE REPRODUCED, COPIED, OR USED IN ANY MANNER WITHOUT THE PRIOR WRITTEN CONSENT OF ADVANCED CONNECTION TECHNOLOGY INC. OR ITS AFFILIATED SUBSIDIARIES.

CAD FILE: S0600102a

REV.	DESCRIPTION	DWG		APPROVED	
		NAME	DATE	NAME	DATE
AA	RELEASED	Peak	12/02/2008	Ahua	12/02/2008




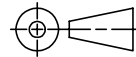
- 1 ■ Functionally dim.
- ◆ Assembly dim.
- Control dim.



Note

1. Materials:
Housing: PBT Black
Contact: Brass
2. Plating:
Contact: Ni under plating,
Sn on all area.

Approval Signature

INTENDED USE: ACT		 Advanced Connection Technology TAIWAN TEL: 886-2-88091060			
GENERAL DIMENSION		TITLE: Mini Din Specifial 6P Female		DRAWN: Peak	12/02/2008
Angle ±1		DWG NO: 311-06001-02		CHECKED: Balon	12/02/2008
X±0.25	XX±0.15	REV. AA	APPROVED: Ahua		12/02/2008
		UNIT: mm	SCALE: NONE	SHEET 1 OF 1	NAME DATE

1
2
3
4
5