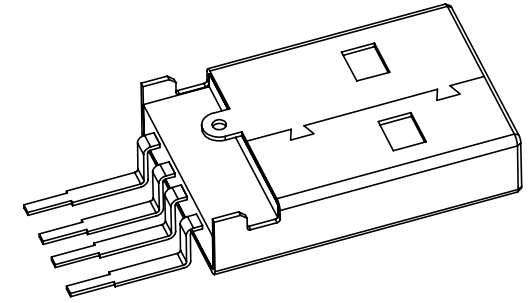
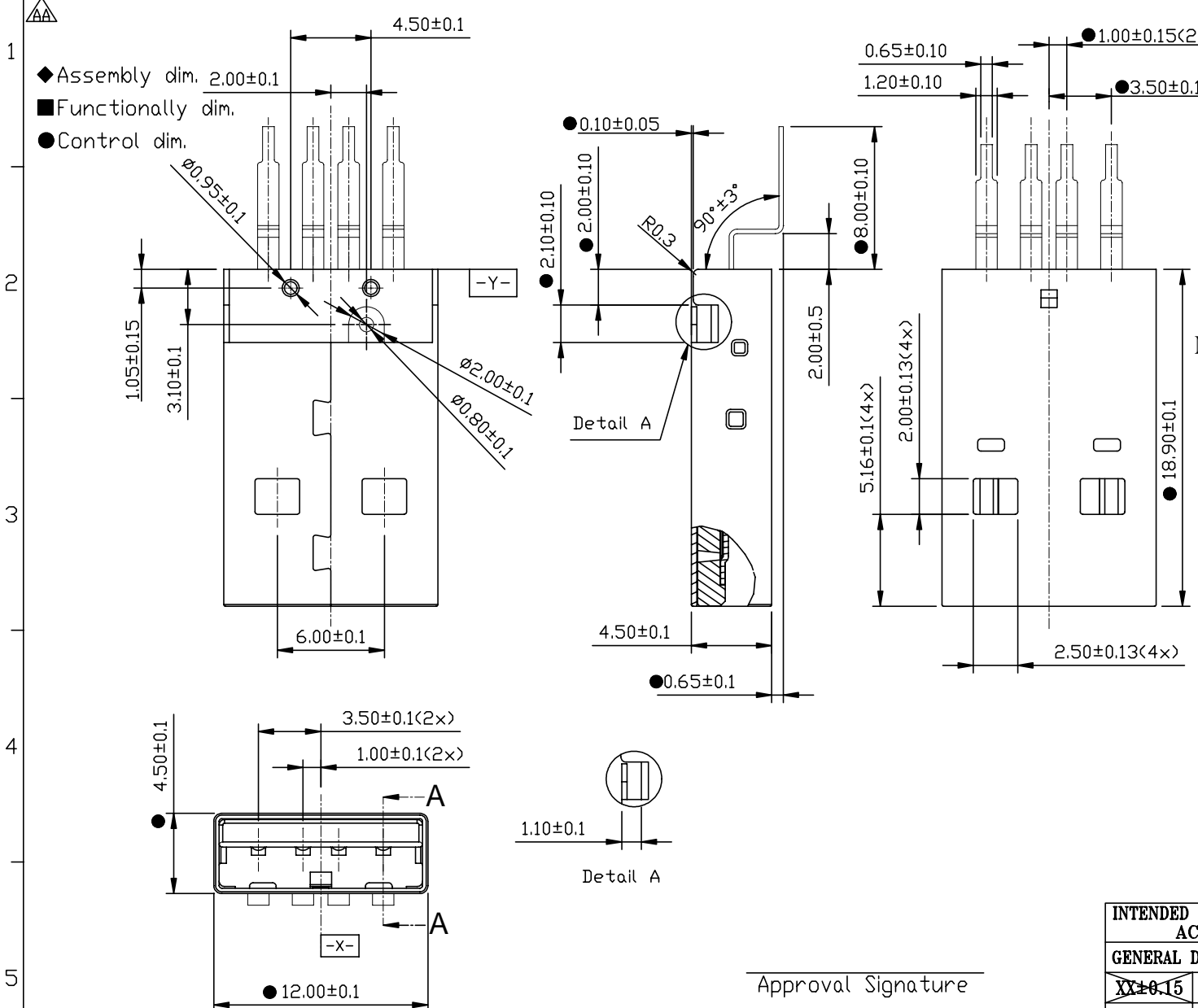


THESE DRAWINGS AND SPECIFICATIONS ARE THE SOLE PROPERTY OF ADVANCED CONNECTION TECHNOLOGY INC. AND SHALL NOT BE REPRODUCED, COPIED, OR USED IN ANY MANNER WITHOUT THE PRIOR WRITTEN CONSENT OF ADVANCED CONNECTION TECHNOLOGY INC. OR ITS AFFILIATED SUBSIDIARIES.

CAD FILE: S0401104a

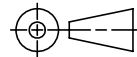
REV.	DESCRIPTION	DWG		APPROVED	
		NAME	DATE	NAME	DATE
AA	RELEASED	Landy	Oct/08/2008	Hunter	Oct/08/2008



Note:

- Material:  
 Contact : BRASS  
 Insulator : PBT+30% G.F  
 Shell : Spcc
- Mechanical:  
 Mating : 35N max.  
 Withdrawal Force : 10N min.  
 Durability : 1500 cycles min.
- Electrical:  
 Current-max[amps] : 1.5A  
 Voltage-max[volts] : 30V  
 Withstanding Voltage : 500V AC for 1 min  
 Contact Resistance [ohms] : 30 millionhms max  
 Insulation Rresistance[ohms] : 1000Megohms min
- Plating:  
 Contact : Gold Flash And Tin Over Nickel Plated  
 Shell : Nickel(Tin) over all plating
- Environmental:  
 Temperature Range : -40°C to +60°C

Approval Signature

INTENDED USE: ACT		Advanced Connection Technology TAIWAN TEL: 886-2-88091060			
GENERAL DIMENSION		TITLE:	DRAWN:		
XX±0.15	.XX±0.10	USB A TYPE PLUG	Landy		Oct/08/2008
X±0.20	.XX±0.15	DWG NO:	CHECKED:		
		301-04011-04	Ahua		Oct/08/2008
		AA	APPROVED:		
UNIT:	SCALE:	SHEET	NAME		DATE
mm	NONE	1 OF 1			

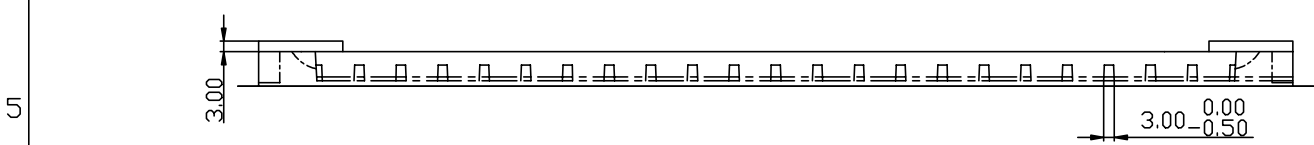
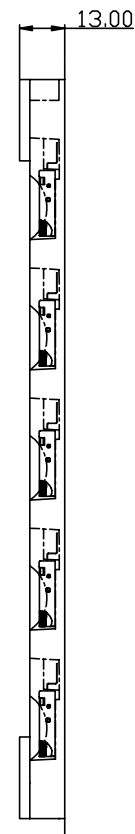
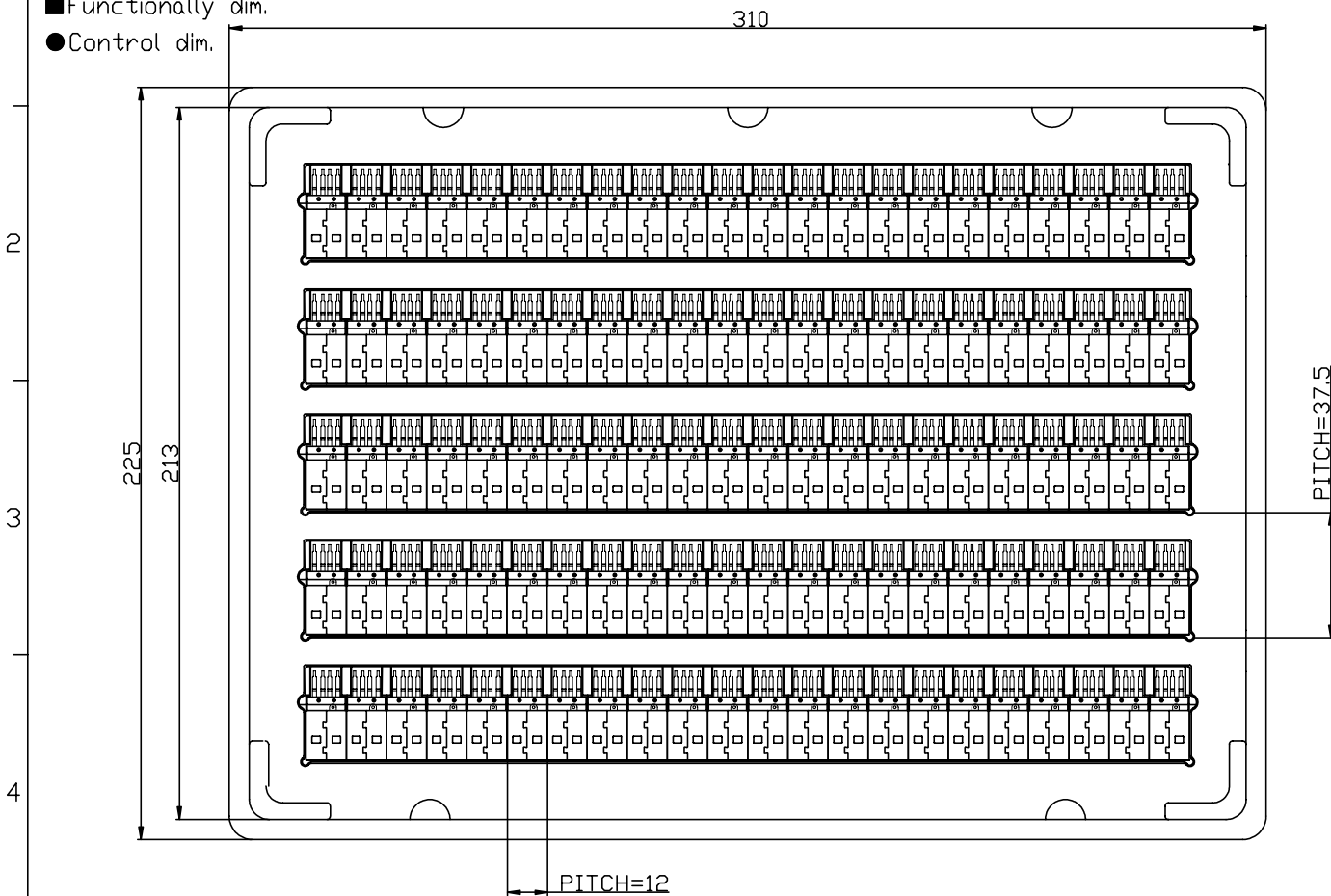
THESE DRAWINGS AND SPECIFICATIONS ARE THE SOLE PROPERTY OF ADVANCED CONNECTION TECHNOLOGY INC. AND SHALL NOT BE REPRODUCED, COPIED, OR USED IN ANY MANNER WITHOUT THE PRIOR WRITTEN CONSENT OF ADVANCED CONNECTION TECHNOLOGY INC. OR ITS AFFILIATED SUBSIDIARIES.

CAD FILE: S0401104b

REV.	DESCRIPTION	DWG		APPROVED	
		NAME	DATE	NAME	DATE
AA	RELEASED	Landy	Oct/09/2008	Hunter	Oct/09/2008



- ◆ Assembly dim.
- Functionally dim.
- Control dim.



NOTE:  
1.Pack quantity : 5\*22=110PCS

INTENDED USE: <b>ACT</b>		<b>Advanced Connection Technology</b> TAIWAN TEL: 886-2-88091060			
GENERAL DIMENSION		TITLE:		DRAWN:	
XX±0.15	.X±0.07	<b>USB A TYPE PLUG</b>		Landy Oct/08/2008	
X±0.10	.XX±0.03	DWG NO:		CHECKED:	
		<b>301-04011-04</b>		Ahua Oct/08/2008	
		REV. AA		APPROVED:	
UNIT: mm		SCALE: NONE		SHEET 1 OF 1	
		NAME		DATE	