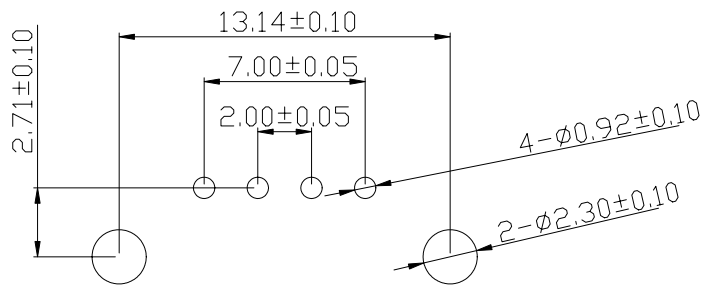
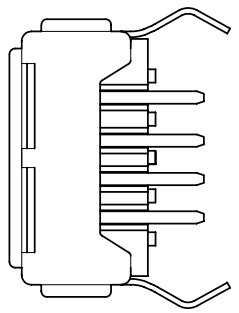


THESE DRAWINGS AND SPECIFICATIONS ARE THE SOLE PROPERTY OF ADVANCED CONNECTION TECHNOLOGY INC. AND SHALL NOT BE REPRODUCED, COPIED, OR USED IN ANY MANNER WITHOUT THE PRIOR WRITTEN CONSENT OF ADVANCED CONNECTION TECHNOLOGY INC. OR ITS AFFILIATED SUBSIDIARIES.

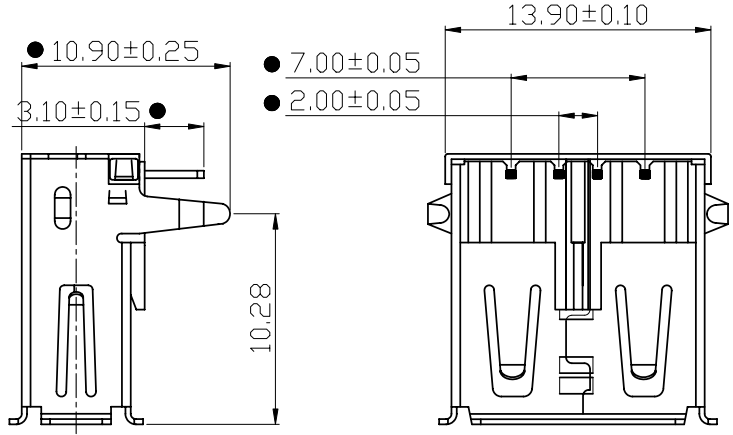
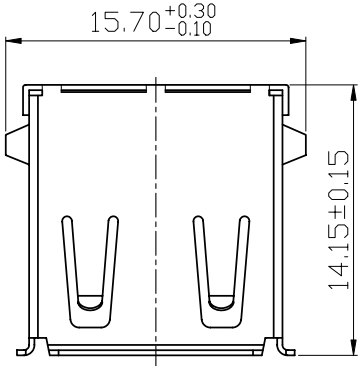
CAD FILE: S0411107a

REV.	DESCRIPTION	DWG		APPROVED	
		NAME	DATE	NAME	DATE
AA	RELEASED	Jone	Jan/24/2008	Hunter	Jan/24/2008

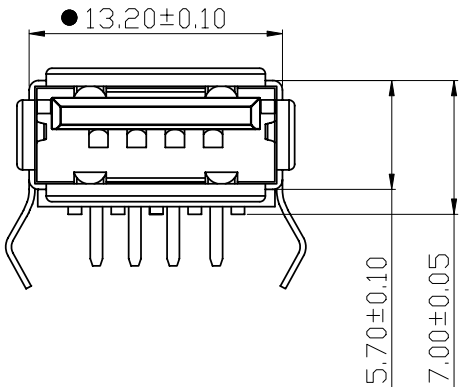
- ◆ Assembly dim.
- Functionally dim.
- Control dim.



RECOMMENDED PCB LAYOUT



- Note:**
- 1. Material:**
 Contacts : Phosphore Bronze
 Insulator: PA6T+30% G.F. UL 94V-0
 Shell : BRASS T=0.30mm
 - 2. Mechanical:**
 Mating: 35N max.
 Withdrawal Force: 10N min.
 Durability: 1500 cycles min.
 - 3. Electrical:**
 Current-max[amps] 1.5A
 Voltage-max[volts] 30V
 Withstanding Voltage 750V AC
 Contact Resistance [ohms] 30 milliohms max
 Insulation Resistance [ohms] 1000 Megohms min
 - 4. Plating:**
 Contacts: Gold Flash And Tin Over Nickel Plated
 Shell: Nickel over all plating
 - 5. Environmental**
 Temperature Range -55°C~+85°C



Approval Signature _____

INTENDED USE: ACT		Advanced Connection Technology			
GENERAL DIMENSION					
XX±0.25	.X±0.20	TITLE: USB Female A Type AF 90 DIP		DRAWN: Jone	Jan./24/2008
X±0.20	.XX±0.15	DWG NO: 301-04111-07		CHECKED: Hunter	Jan./24/2008
		REV: AA		APPROVED: Hunter	
		UNIT: mm		SHEET 1 OF 1	
		SCALE: NONE		NAME	DATE