

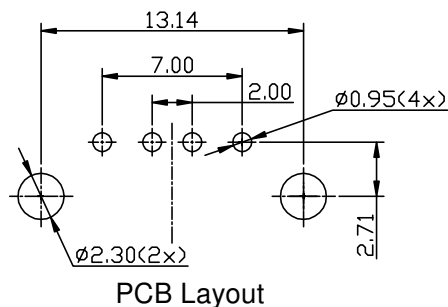
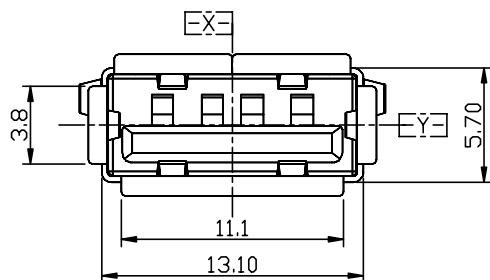
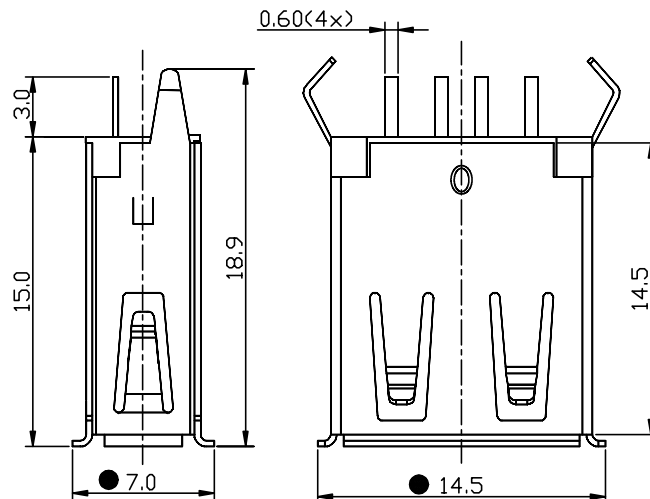
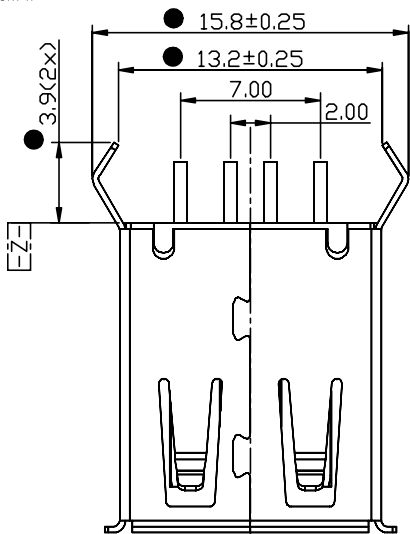
THESE DRAWINGS AND SPECIFICATIONS ARE THE SOLE PROPERTY OF ADVANCED CONNECTION TECHNOLOGY INC. AND SHALL NOT BE REPRODUCED, COPIED, OR USED IN ANY MANNER WITHOUT THE PRIOR WRITTEN CONSENT OF ADVANCED CONNECTION TECHNOLOGY INC. OR ITS AFFILIATED SUBSIDIARIES.

CAD FILE: XS04111-16c

REV.	DESCRIPTION	DWG		APPROVED	
		NAME	DATE	NAME	DATE
X01	PROTOTYPE	Peak	03/25/2009	Knight	03/25/2009
X02	CHANGE HOUSING COLOR	Peak	04/08/2009	Knight	04/08/2009

X02



- 1 ■ Functionally dim.
- ◆ Assembly dim.
- Control dim.



Note:

1. Material:
  - Contact : BRASS, T=0.25mm
  - Insulator : PBT+30% G.F White X02
  - Shell : BRASS, T=0.30mm
2. Mechanical:
  - Mating : 35N max.
  - Withdrawal Force : 10N min.
  - Durability : 1500 cycles min.
3. Electrical:
  - Current-max[amps] : 1.5A
  - Voltage-max[volts] : 30V
  - Withstanding Voltage : 500V AC for 1 min
  - Contact Resistance [ohms] : 30 millionhms max
  - Insulation Rresistance[ohms] : 1000Megohms min
4. Plating:
  - Contact : Gold Flash And Tin Over Nickel Plated
  - Shell : Nickel(Tin) over all plating
5. Environmental:
  - Temperature Range : -40°C to +60°C

Approval Signature

INTENDED USE: ACT		 Advanced Connection Technology TAIWAN TEL: 886-2-88091060			
GENERAL DIMENSION		TITLE: USB AM Type 4Pins 180°C DIP		DRAWN: Peak 04/08/2009	
XX±0.50	.X±0.20	DWG NO: 301-04111-16 X02		CHECKED: Coco 04/08/2009	
X±0.30	.XX±0.10	REV. X02		APPROVED: Knight 04/08/2009	
		UNIT: mm	SCALE: NONE	SHEET 1 OF 1	NAME DATE