

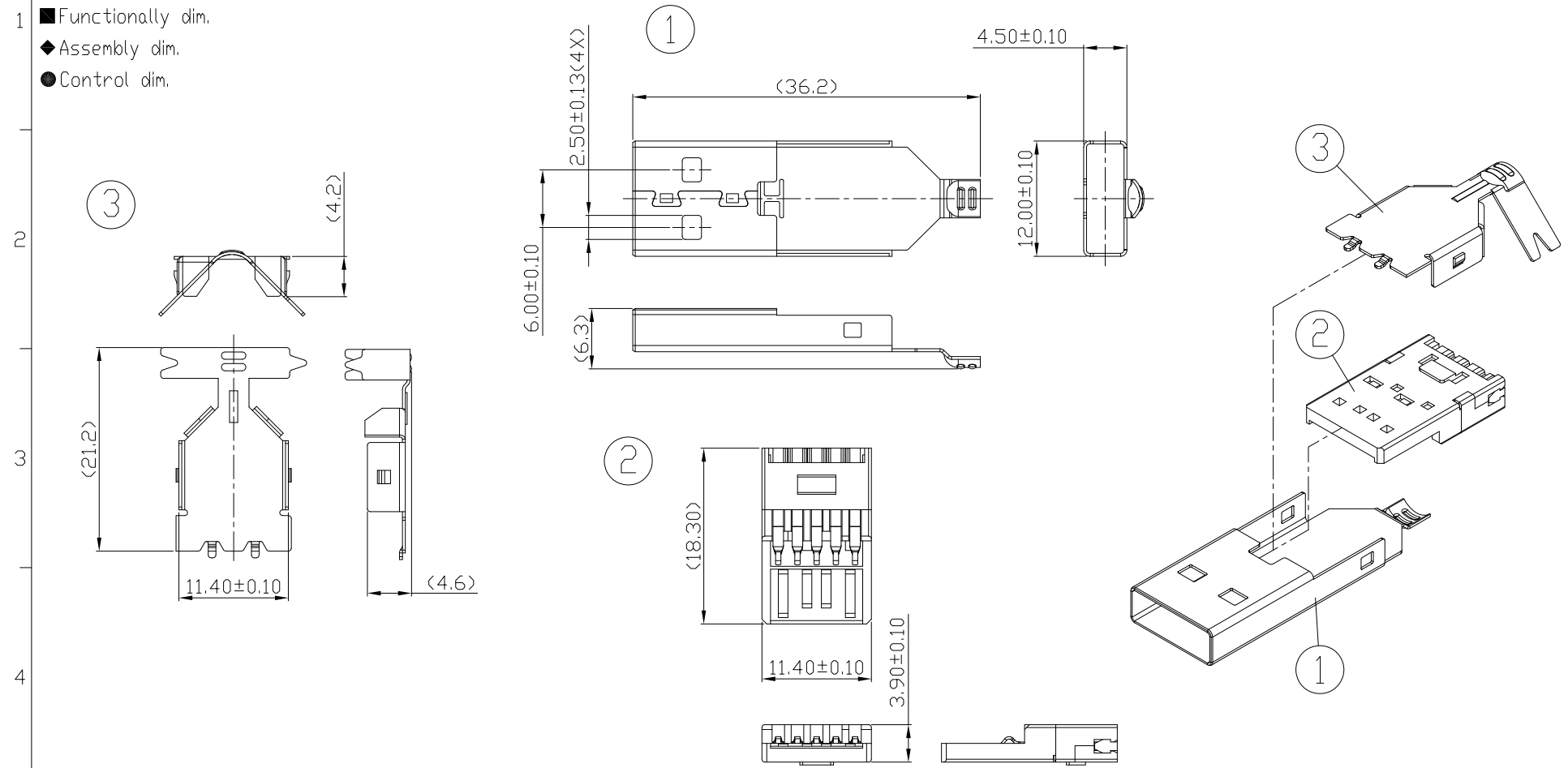
THESE DRAWINGS AND SPECIFICATIONS ARE THE SOLE PROPERTY OF ADVANCED CONNECTION TECHNOLOGY INC. AND SHALL NOT BE REPRODUCED, COPIED, OR USED IN ANY MANNER WITHOUT THE PRIOR WRITTEN CONSENT OF ADVANCED CONNECTION TECHNOLOGY INC. OR ITS AFFILIATED SUBSIDIARIES.

CAD FILE: S09001-01A

REV.	DESCRIPTION	DWG		APPROVED	
		NAME	DATE	NAME	DATE
AA	Released	Erin	11/04/2010	Sam	11/04/2010

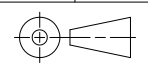


- 1 ■ Functionally dim.
- ◆ Assembly dim.
- Control dim.



ITEM	DESCRIPTION	MATERIAL	REMARKS
③	Cover	Stainless Steel	Plating : none
②	Housing ass'y	Plastic+Copper alloy	under plating :Ni contact area :Ni-Pd + Au solder area :Sn
①	Shell	Stainless Steel	Plating 50u"

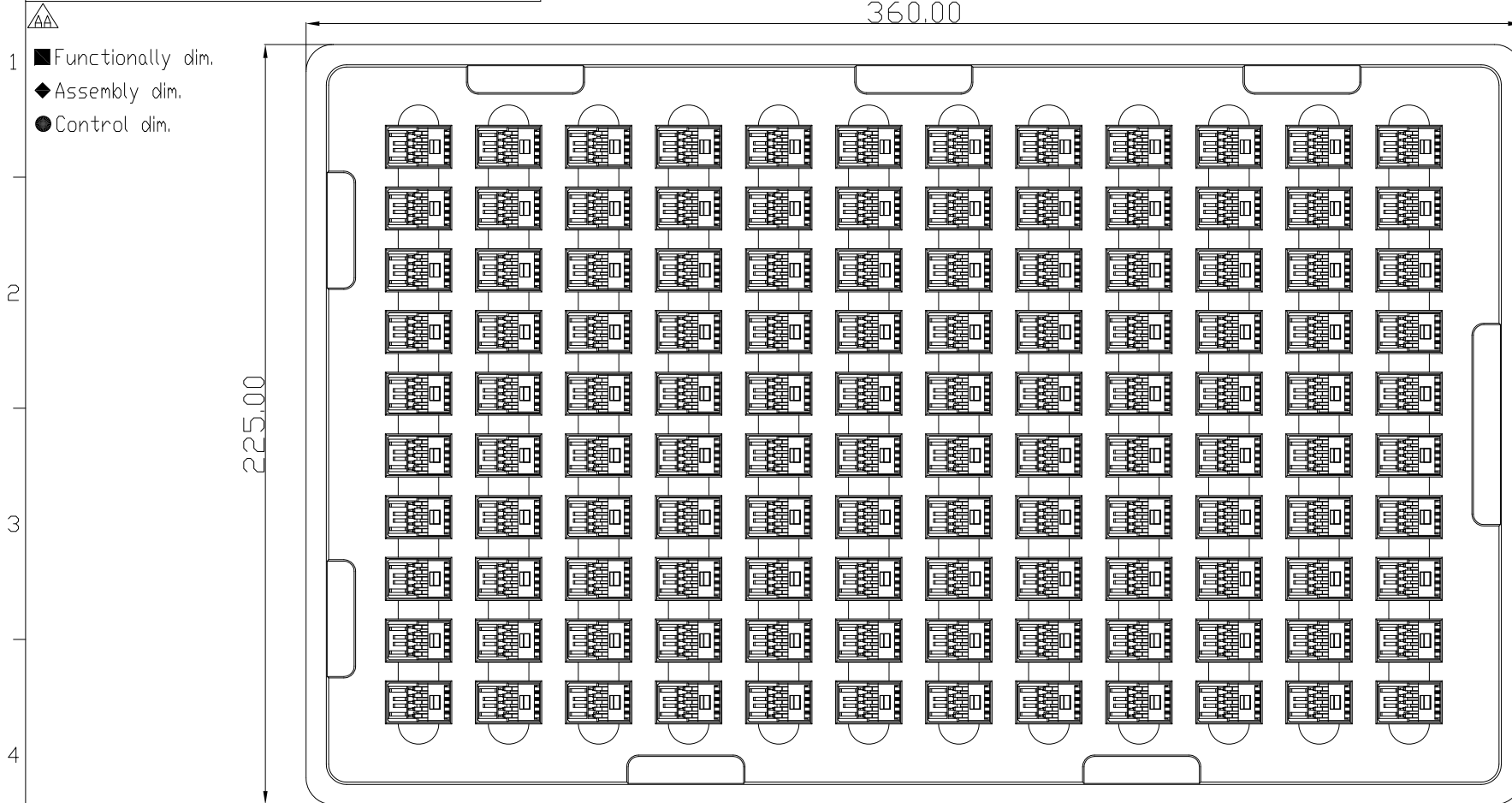
INTENDED USE: ACT		ACTT TAIWAN, R.O.C. TEL: 886-2-88091060			
GENERAL DIMENSION		TITLE: USB3.0 A Type Plug		DRAWN: Erin 11/04/2010	
XX±0.25	.X±0.15	DWG NO: 301-09001-01 AA		CHECKED: Bennett 11/04/2010	
X±0.20	.XX±0.10	REV. AA		APPROVED: Sam 11/04/2010	
UNIT: mm		SCALE: NONE		SHEET 1 OF 2	
		NAME		DATE	



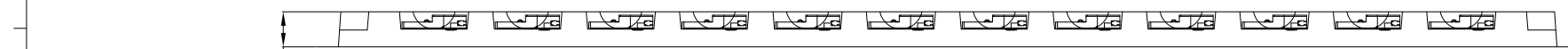
THESE DRAWINGS AND SPECIFICATIONS ARE THE SOLE PROPERTY OF ADVANCED CONNECTION TECHNOLOGY INC. AND SHALL NOT BE REPRODUCED, COPIED, OR USED IN ANY MANNER WITHOUT THE PRIOR WRITTEN CONSENT OF ADVANCED CONNECTION TECHNOLOGY INC. OR ITS AFFILIATED SUBSIDIARIES.

CAD FILE: S09001-01B

REV.	DESCRIPTION	DWG		APPROVED	
		NAME	DATE	NAME	DATE
AA	RELEASED	Erin	11/12/2010	Sam	11/12/2010



- 1 ■ Functionally dim.
- 2 ◆ Assembly dim.
- 3 ● Control dim.



Note: Packing : Housing ass'y 120 pcs/reel
 Cover 100pcs / bag
 Shell 100pcs / bag

INTENDED USE: ACT		ACTT TAIWAN, R.O.C. TEL: 886-2-88091060			
GENERAL DIMENSION		TITLE: USB3.0 Plug Ass'y		DRAWN: Erin 11/12/2010	
XX±0.15	X±0.07	DWG NO: 301-09001-01 AA		CHECKED: Bennett 11/12/2010	
X±0.10	.XX±0.03	REV. AA		APPROVED: Sam 11/12/2010	
		UNIT:	SCALE: NONE	SHEET 2 OF 2	NAME DATE

④	TRAY	PET	LIMPID
ITEM	DESCRIPTION	MATERIAL	REMARK