

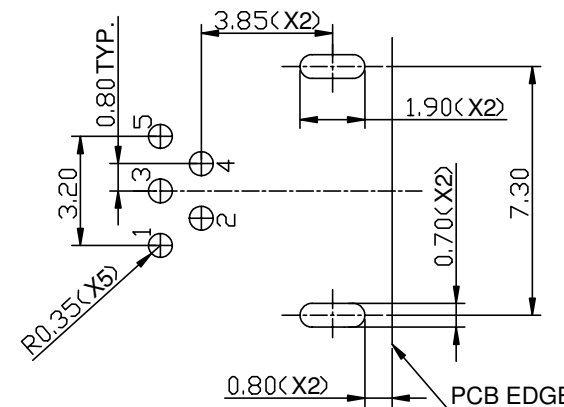
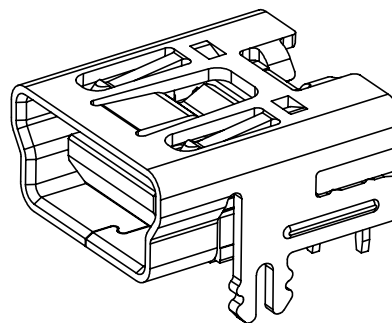
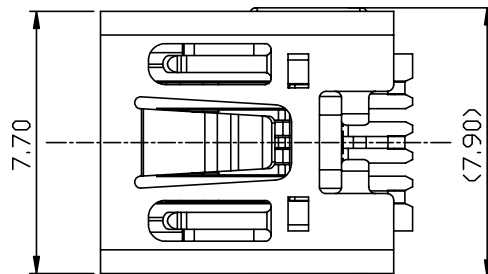
THESE DRAWINGS AND SPECIFICATIONS ARE THE SOLE PROPERTY OF ADVANCED CONNECTION TECHNOLOGY INC. AND SHALL NOT BE REPRODUCED, COPIED, OR USED IN ANY MANNER WITHOUT THE PRIOR WRITTEN CONSENT OF ADVANCED CONNECTION TECHNOLOGY INC. OR ITS AFFILIATED SUBSIDIARIES.

CAD FILE: XS05112-03A

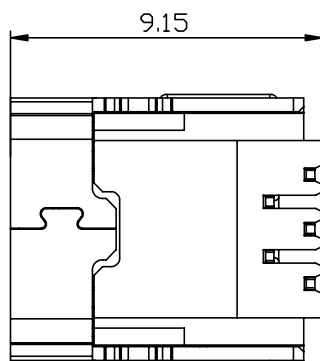
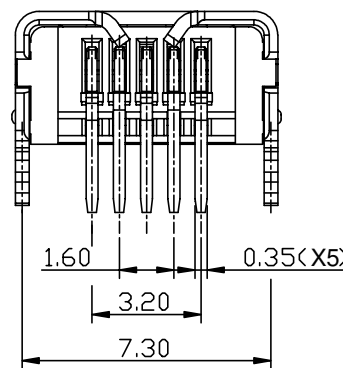
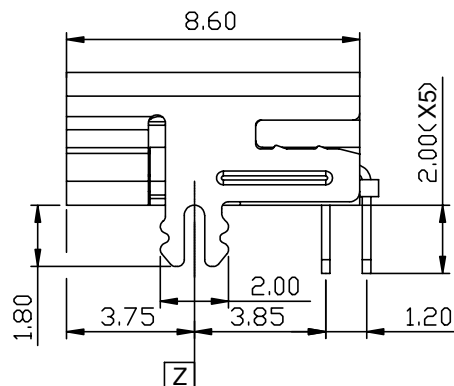
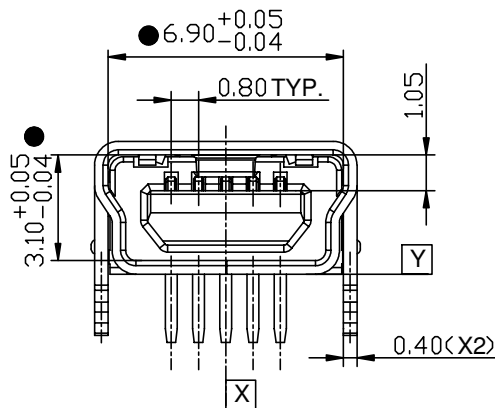
REV.	DESCRIPTION	DWG		APPROVED	
		NAME	DATE	NAME	DATE
X01	PROTOTYPE	Roger	07/16/2009	Knight	07/17/2009
X02	CHANGE CONTACT THICKNESS	Roger	08/05/2009	Knight	08/05/2009

X02

- 1 □ Functionally dim.
- ◇ Assembly dim.
- Control dim.




Recommended PCB Layout
Tolerance : ±0.05mm



Note:

- Electrical Characteristics:
Current rating: 1AMP
Withstanding voltage: 500VAC
Insulation Resistance: 100MΩ min
Contact Resistance: 50mΩ max
- Mechanical:
Insertion Force: 35N max
Withstanding Force: 7N min(initial)
- Environmental:
Operating Temperature: 0°C to 50°C
- Material:
Housing: High Temperature Thermoplastic. BLACK. UL94 V-0
Contact: Copper alloy T=0.25mm X02
Shell: Copper alloy T=0.4mm
- Plating:
Contact: Au 30u" over Nickel on contact area
Sn over Nickel on Solder area
Shell: Nickel plating

Approval Signature

INTENDED USE: Canon		 Advanced Connection Technology TAIWAN TEL: 886-2-88091060			
GENERAL DIMENSION		TITLE: Mini USB 5pins		DRAWN: Roger 08/05/2009	
XX±0.30	.X±0.15	90° Female/DIP B Type		CHECKED: Coco 08/05/2009	
X±0.20	.XX±0.10	DWG NO: 302-05112-03 X02		REV. Knight 08/05/2009	
UNIT: mm		SCALE: NONE		SHEET 1 OF 1	
		NAME		DATE	