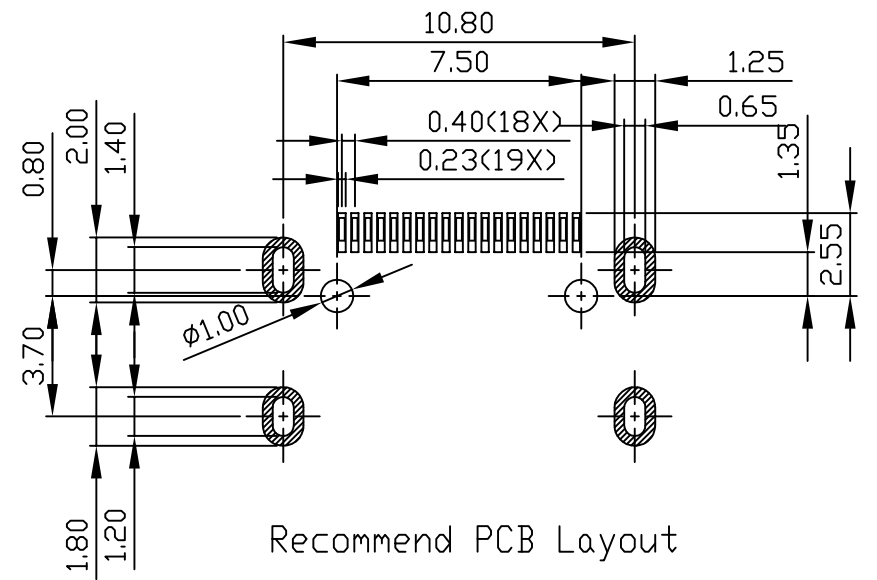
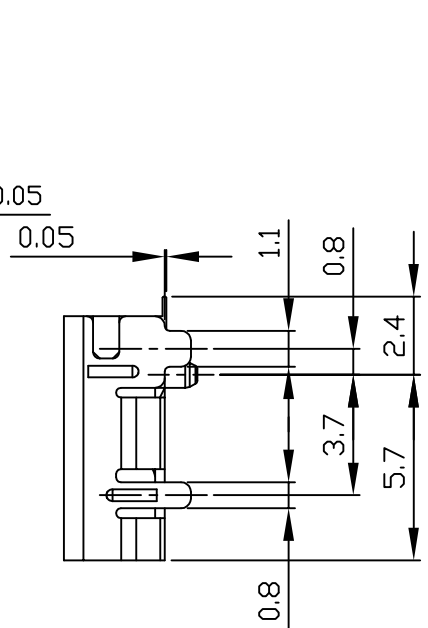
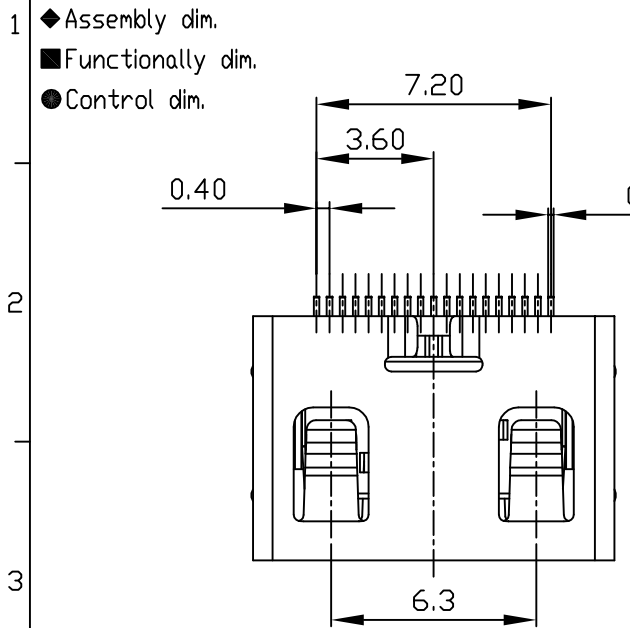


THESE DRAWINGS AND SPECIFICATIONS ARE THE SOLE PROPERTY OF ADVANCED CONNECTION TECHNOLOGY INC. AND SHALL NOT BE REPRODUCED, COPIED, OR USED IN ANY MANNER WITHOUT THE PRIOR WRITTEN CONSENT OF ADVANCED CONNECTION TECHNOLOGY INC. OR ITS AFFILIATED SUBSIDIARIES.

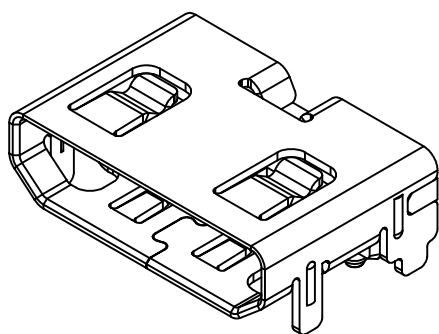
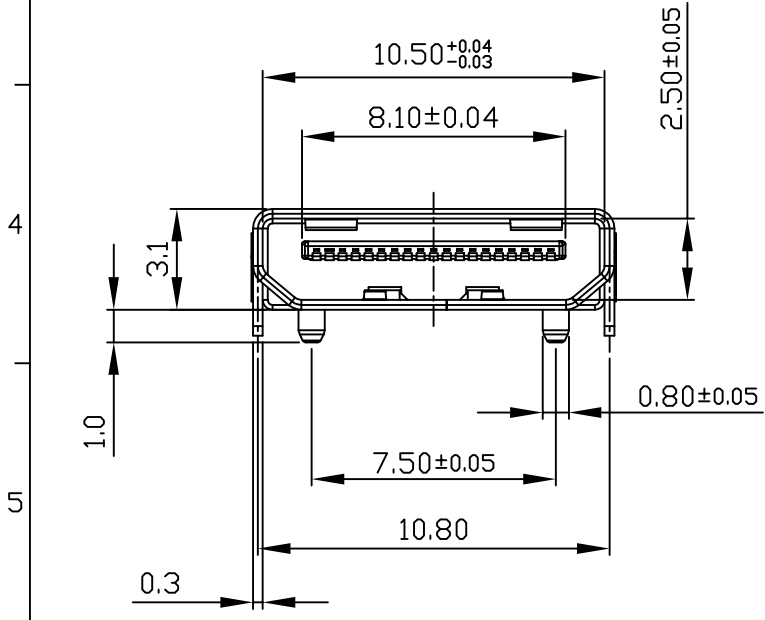
CAD FILE: XS1900120a

REV.	DESCRIPTION	DWG		APPROVED	
		NAME	DATE	NAME	DATE
X01	Prototype	Kieth	01/18/2011	Eric	01/18/2011

- 1 ◆ Assembly dim.
- 2 ■ Functionally dim.
- 3 ● Control dim.



Recommend PCB Layout



Approval Signature

1. Material:
 - Housing: LCP
 - Contact: Copper Alloy
 - Ni under plating, Sn on solder area.
 - Au plating on contact area.
 - Shell: Stainless Steel
 - Ni under plating, Gold flash on solder area.
2. Coplanarity: 0.1mm Max.

INTENDED USE: ACT		ACTT TAIWAN, R.O.C. TEL: 886-2-88091060			
GENERAL DIMENSION		TITLE: HDMI-C Receptacle-normal type		DRAWN: Kieth	01/20/2011
XX±0.30	.X±0.15	DWG NO: 350-19001-20		CHECKED: Kieth	01/20/2011
X±0.20	.XX±0.10	REV. X01		APPROVED: Eric	01/20/2011
UNIT: mm		SCALE: NONE	SHEET 1 OF 1	NAME	DATE