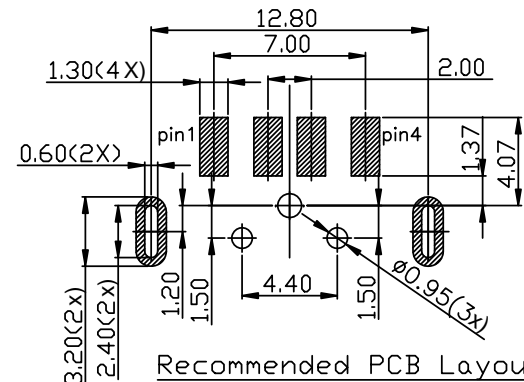
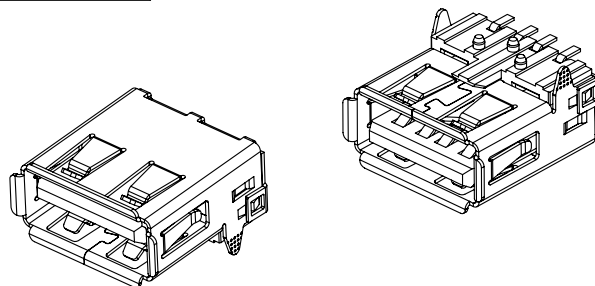
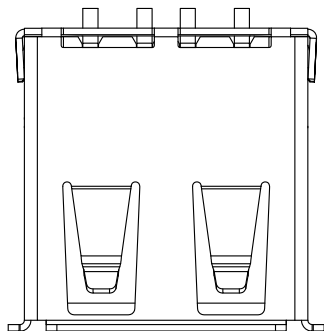


THESE DRAWINGS AND SPECIFICATIONS ARE THE SOLE PROPERTY OF ADVANCED CONNECTION TECHNOLOGY INC. AND SHALL NOT BE REPRODUCED, COPIED, OR USED IN ANY MANNER WITHOUT THE PRIOR WRITTEN CONSENT OF ADVANCED CONNECTION TECHNOLOGY INC. OR ITS AFFILIATED SUBSIDIARIES.

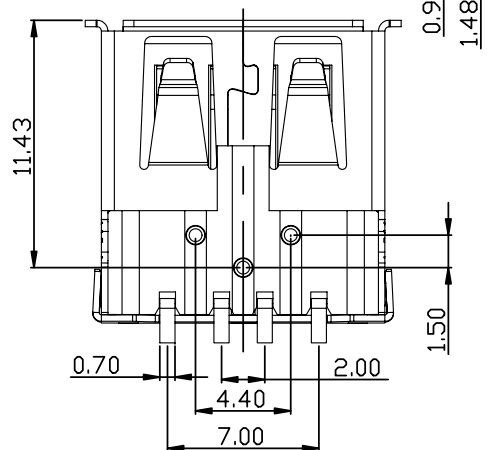
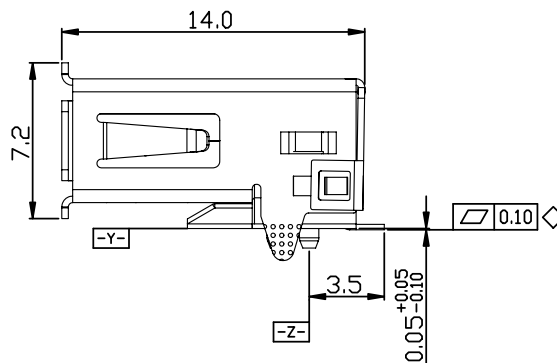
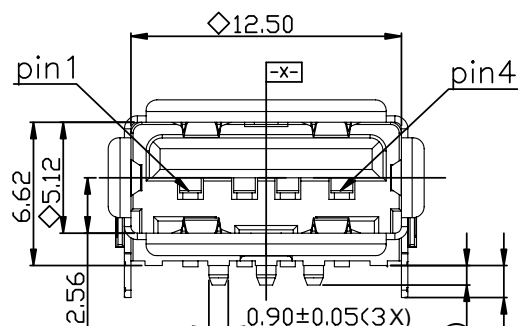
CAD FILE: S04101-08A

| REV. | DESCRIPTION        | DWG  |            | APPROVED |            |
|------|--------------------|------|------------|----------|------------|
|      |                    | NAME | DATE       | NAME     | DATE       |
| AA   | RELEASED           | jo   | 05/03/2012 | Coco     | 05/03/2012 |
| AB   | ECN,NO:DC1301027   | jo   | 05/03/2012 | Coco     | 05/03/2012 |
| AC   | ECN,NO:EC130305-02 | jo   | 03/05/2013 | Coco     | 03/05/2013 |

AC  
◇Key Characteristic



Recommended PCB Layout  
Tolerance : ±0.05mm



Notes:

Conform RoHS

1. Electrical Characteristics:

- Voltage rating: 30VAC
- Current rating: 2.1A max
- Withstanding voltage: 500VAC
- Insulation Resistance: 100MΩ min
- Contact Resistance: 30mΩ max

2. Mechanical:

- Insertion Force: 35N max
- Withstanding Force: 10N min
- Durability: 7500 cycles

3. Environmental

Operating Temperature: -55°C to +85°C

4. Material

- Housing: LCP E130I VF2201 Natural UL94V-0 AC
- Contact: JIS H3110-2006, C5210R-EH, T=0.25mm
- Shell: JIS G4305-2005, SUS301, T=0.3mm

5. Plating :

- Terminal : Ni 1.25um under plated, Au 0.75um plated on contact area and Sn 1.75um plated on solder area
- Shell : Ni 1.25um over all plating

Approval Signature

|              |                                         |                             |
|--------------|-----------------------------------------|-----------------------------|
| Automotive   | <input checked="" type="checkbox"/> Yes | <input type="checkbox"/> No |
| RoHS         | <input checked="" type="checkbox"/> Yes | <input type="checkbox"/> No |
| Halogen-Free | <input checked="" type="checkbox"/> Yes | <input type="checkbox"/> No |
| REACH        | <input checked="" type="checkbox"/> Yes | <input type="checkbox"/> No |

|                      |                      |                                                                                       |                |                |
|----------------------|----------------------|---------------------------------------------------------------------------------------|----------------|----------------|
| INTENDED USE:<br>ACT |                      | TAIWAN, R.O.C.<br><a href="http://www.act-ioi.com.tw/">http://www.act-ioi.com.tw/</a> |                |                |
| GENERAL DIMENSION    |                      | TITLE: USB 4Pins I/O normal SMT                                                       | DRAWN: jo      | 03/05/2013     |
| $X \pm 0.20$         | $X \pm 0.25$         | $.XX \pm 0.15$                                                                        | CHECKED: Froos | 03/05/2013     |
|                      | DWG NO: 301-04101-08 |                                                                                       | REV. AC        | APPROVED: Coco |
|                      | UNIT: mm             | SCALE: NONE                                                                           | SHEET 1 OF 2   | NAME DATE      |

THESE DRAWINGS AND SPECIFICATIONS ARE THE SOLE PROPERTY OF ADVANCED CONNECTION TECHNOLOGY INC. AND SHALL NOT BE REPRODUCED, COPIED, OR USED IN ANY MANNER WITHOUT THE PRIOR WRITTEN CONSENT OF ADVANCED CONNECTION TECHNOLOGY INC. OR ITS AFFILIATED SUBSIDIARIES.

CAD FILE: S04101-08B

| REV. | DESCRIPTION      | DWG  |            | APPROVED |            |
|------|------------------|------|------------|----------|------------|
|      |                  | NAME | DATE       | NAME     | DATE       |
| AA   | RELEASED         | Jo   | 05/03/2012 | Coco     | 05/03/2012 |
| AB   | ECN,NO:DC1301027 | Jo   | 01/23/2012 | Coco     | 01/23/2012 |
| AC   | ECN,NO:          | Jo   | 03/05/2013 | Coco     | 03/05/2013 |

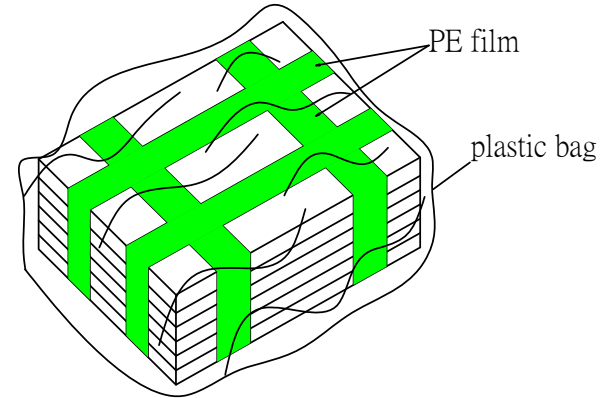
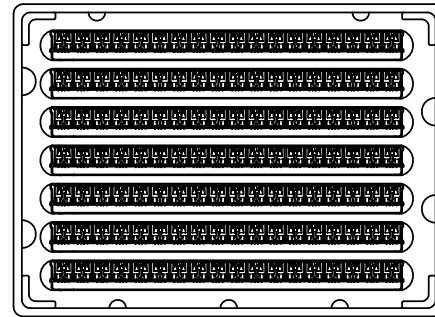
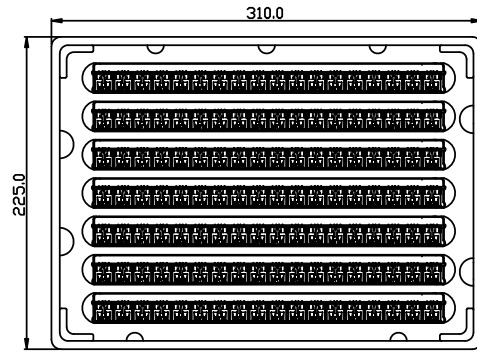
△AC  
◇Key Characteristic

1

17x7=119pcs/tray

rotate the second layer 180° on the basis of the first layer  
the third layer,the fourth layer.....by analogy

11 trays/bundle, but the top  
layer is empty

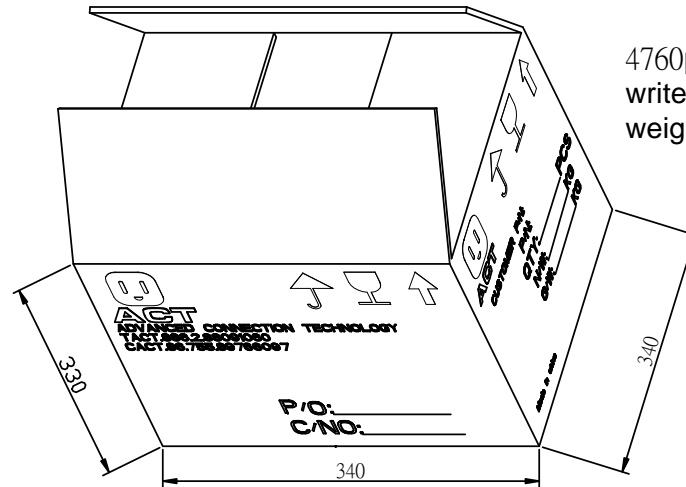
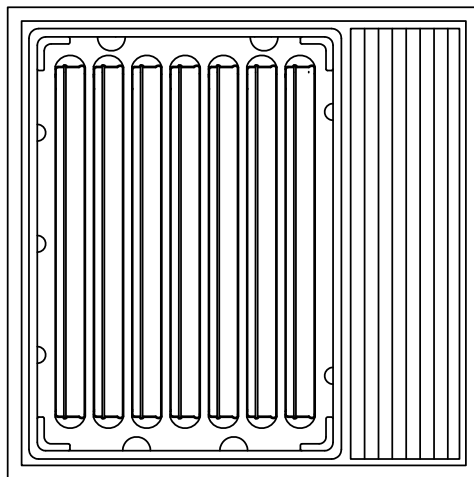


2

flat place 3 bundles,vertical place 1 bundle,4  
bundles/carton,fill the paper strip in the free carton

4760pcs/carton  
write lot no./quantity/net weight/glass  
weight on the carton surface

3



4

5

|              |                                         |                             |
|--------------|-----------------------------------------|-----------------------------|
| Automotive   | <input checked="" type="checkbox"/> Yes | <input type="checkbox"/> No |
| RoHS         | <input checked="" type="checkbox"/> Yes | <input type="checkbox"/> No |
| Halogen-Free | <input checked="" type="checkbox"/> Yes | <input type="checkbox"/> No |
| REACH        | <input checked="" type="checkbox"/> Yes | <input type="checkbox"/> No |

|                      |          |                                                                                           |                                         |
|----------------------|----------|-------------------------------------------------------------------------------------------|-----------------------------------------|
| INTENDED USE:<br>ACT |          | ACT TAIWAN, R.O.C.<br><a href="http://www.act-ioi.com.tw/">http://www.act-ioi.com.tw/</a> |                                         |
| GENERAL DIMENSION    |          | TITLE: USB 4Pins I/O<br>normal SMT                                                        | DRAWN: jo<br>03/05/2013                 |
| XX±0.15              | .X±0.07  | DWG NO:<br>301-04101-08                                                                   | CHECKED: Froos<br>03/05/2013            |
| X±0.10               | .XX±0.03 |                                                                                           | REV. AC<br>APPROVED: coco<br>03/05/2013 |
| UNIT: mm             |          | SCALE: NONE                                                                               | SHEET 2 OF 2                            |
|                      |          | NAME                                                                                      | DATE                                    |